



COMMONWEALTH OF VIRGINIA

COUNTY OF HENRICO

DEPARTMENT OF FINANCE
Oscar Knott, CPP, CPPO, VCO
Purchasing Director

IFB No. 22-2322-3MEJ

April 1, 2022

Invitation for Bid
Annual Contract for Traffic Signposts, Fasteners and Related Tools

Subject: Annual contract to furnish all tools, labor and equipment necessary to provide inside delivery of Traffic Signposts, Fasteners and Related Tools, to the County of Henrico, Virginia Department of Public Works, in accordance with the enclosed general terms, conditions and specifications.

Sealed bids in accordance with the conditions, specifications, and instructions below and on the attached sheets or drawings hereto, if any, will be received and accepted through eVA, the Commonwealth of Virginia's Procurement Portal (<https://eva.virginia.gov>) no later than **11:00 AM**, local prevailing time, **May 3, 2022** and will be opened and publicly read aloud through a WebEx meeting at <https://henrico.webex.com/meet/jet005> or by phone at 1(415) 655-0002 US Toll; Access Code **180-915-0486**. The WebEx meeting line will be made available for joining five (5) minutes prior to public opening.

Time is of the essence, and no bids will be received after the appointed time for submission. The time for the receipt of bids shall be determined by the time clock in eVA. Bidders are responsible for ensuring that their bid is submitted in eVA by the deadline indicated.

All Bidders shall use the enclosed Bid Form in submitting their bid prices. The Purchasing Division reserves the right to waive any informality in bids and to award in part or in whole or to reject any or all bids.

Nothing herein is intended to exclude any responsible Bidder, its product or service or in any way restrain or restrict competition. On the contrary, all responsible Bidders are encouraged to bid and their bid is solicited. Comments as to how bid documents, specifications or drawings can be improved are welcome.

Pursuant to Henrico County Code Section 16-43, the award will be made by the Purchasing Director.

This IFB and any addenda are available on the County of Henrico, Virginia website at <https://henrico.us/finance/divisions/purchasing>, and on eVA at <https://eva.virginia.gov/>.

Should you have any questions concerning this Invitation for Bid or bid submissions through eVA, please contact Melody Jett at jet005@henrico.us no later than **April 5, 2022**.

Very truly yours,

Oscar Knott, CPP, CPPO, VCO
Purchasing Director

Melody E. Jett
Procurement Analyst, I, VCA

I. SCOPE OF WORK/SERVICES

A. Purpose.

The intent and purpose of this Invitation for Bid is to establish a term contract with a qualified supplier to furnish and provide inside delivery of Traffic Signposts, Fasteners and Related Tools to the County of Henrico, Virginia (the "County") Department of Public Works, as needed and requested in accordance with the enclosed general terms, conditions and specifications.

B. Historical Data.

Below demonstrates the historical purchase of Traffic Signposts, Fasteners and Related Tools for the last fiscal year. This information is provided for informational purposes only with no guarantee to purchase a specific amount on the resultant contract from this solicitation.

Fiscal Year	May 2021 – March 2022
Approximate Amount Spent:	\$ 96,286.90

C. Cooperative Procurement.

This procurement is being conducted by the County of Henrico, Virginia on behalf of all other public bodies of the Commonwealth of Virginia in accordance with the provisions of 2.2-4304 of the Code of Virginia, as amended. If agreed to by the Successful Bidder, other public bodies of the Commonwealth of Virginia may make purchases under the resulting contract at the prices set forth herein and in accordance with its terms, conditions and specifications, subject to any modifications necessary to comply with local policy or practice to which the Successful Bidder agrees. The Successful Bidder shall deal directly with any public body it authorizes to use the resulting contract. The County, its officials and its staff are not responsible for placement of orders, invoicing, payments, contractual disputes, or any other transactions between the Successful Bidder and any other public bodies, and in no event shall the County, its officials or staff be responsible for any costs, damages or injury resulting to any party from use of a County contract. The County assumes no responsibility for any notification of the availability of the resulting contract for use by other public bodies, but the Successful Bidder may conduct such notification.

D. Item Specifications.

Lot A: Telespar Posts, Anchors, Brackets & Caps

1. Post: 10' x 2" x 2" (14 gauge) Galvanized Steel Square Tubing, fully punched Unistrut Telespar or approved equal.

Post must be hot-rolled carbon sheet steel, structural quality, ASTM designation A570, Grade 50. Yield strength after cold forming is 60,000 PSI minimum. Finished product must be manufactured from hot-dipped galvanized steel conforming to ASTM A653, G90, Structural Quality, Grade 50, Class 1. The corner weld shall be zinc coated after scarfing operation. The product must also be coated with a chromate conversion coating and clear organic polymer topcoat. Both the exterior and interior of the post shall be galvanized.

2. Post: 10' x 2.5" x 2.5" (12 Gauge) Galvanized Steel Square Tubing, fully punched Unistrut Telespar or approved equal.

Post must be hot-rolled carbon sheet steel, structural quality, ASTM designation A570, Grade 50. Yield strength after cold forming is 60,000 PSI minimum. Finished product must be manufactured from hot-dipped galvanized steel conforming to ASTM A653,

G90, Structural Quality, Grade 50, Class 1. The corner weld shall be zinc coated after scarfing operation. The product must also be coated with a chromate conversion coating and clear organic polymer topcoat. Both the exterior and interior of the post shall be galvanized.

3. Post: 10' x 2" x 2" (14 Gauge) Gloss Powder Coated "Fawn Brown" (RAL #8007) Unistrut Quik Punch Telespar or approved equal.

Post must be hot-rolled carbon sheet steel, structural quality, ASTM designation A1011, Grade 50. Finished product must be hot-dipped, galvanized Zinc per AASHTOM-120, followed by a chromate conversion coating and clear organic exterior coating. The inside surface shall be given corrosion protection by an on-line application of full Zinc-based organic coating, tested in accordance with ASTM B117.

4. Anchor: 30" x 2.25" x 2.25" (12 Gauge) Galvanized Steel, fully punched Unistrut Telespar or approved equal.

Post must be hot-rolled carbon sheet steel, structural quality, ASTM designation A570, Grade 50. Yield strength after cold forming is 60,000 PSI minimum. Finished product must be manufactured from hot-dipped galvanized steel conforming to ASTM A653, G90, Structural Quality, Grade 50, Class 1. The corner weld shall be zinc coated after scarfing operation. The product must also be coated with a chromate conversion coating and clear organic polymer topcoat. Both the exterior and interior of the post shall be galvanized.

5. Post: 30" x 2.75" x 2.75" (14 Gauge) Galvanized Steel, fully punched Unistrut Telespar or approved equal.

6. Splice: 12" x 1.75" x 1.75" (14 Gauge) Galvanized Steel, fully punched Unistrut Telespar or approved equal.

Post must be hot-rolled carbon sheet steel, structural quality, ASTM designation A570, Grade 50. Yield strength after cold forming is 60,000 PSI minimum. Finished product must be manufactured from hot-dipped galvanized steel conforming to ASTM A653, G90, Structural Quality, Grade 50, Class 1. The corner weld shall be zinc coated after scarfing operation. The product must also be coated with a chromate conversion coating and clear organic polymer topcoat. Both the exterior and interior of the post shall be galvanized.

7. Bracket: 9" Telespar, compatible with 2" square post, or approved equal.

Bracket must be made of 6061-T6 aluminum alloy, certified to ASTM B-221 with standard milled finish. See Attachment E for specifications.

8. Bracket: 6" Telespar, compatible with 2" square post, or approved equal.

Bracket must be made of 6061-T6 aluminum alloy, certified to ASTM B-221 with standard milled finish. See Attachment F for specifications.

9. Bracket: 9" Flat, compatible with 4" x 4" square post, or approved equal.

Bracket must be made of 6061-T6 aluminum alloy, certified to ASTM B-221 with standard milled finish. See Attachment G for specifications.

10. Bracket: 6" Flat, compatible with 4" x 4" square post, or approved equal.

Bracket must be made of 6061-T6 aluminum alloy, certified to ASTM B-221 with standard milled finish. See Attachment H for specifications.

11. Post Cap: 2" x 2" Unistrut Telespar, Cast Aluminum, Gloss Powder Coat "Fawn Brown" (RAL #8007) or approved equal.
12. Post: 12' x 2.5" x 2.5" (14 Gauge) Galvanized Steel, fully punched Unistrut Telespar or approved equal.
13. Post: 36" x 2.25" x 2.25" (12 Gauge) Galvanized Steel, fully punched Unistrut Telespar or approved equal.
14. Soil Stabilizer (bolt on) or approved equal.
15. 1' x 2.5" (12 Gauge) Reinforcing Sleeve or approved equal.

Lot B: Fasteners, Nuts, Bolts & Post Panels

1. Bolt: 5/16" x 2.5" Corner bolt with flange, Xcessories Squared Product #CB516-M-Z or approved equal.

Product shall conform to ASTM A307, Grade A, with ASTM B695, Class 25 Finish.
2. Bolt: 3/8"-16 x 1" Carriage for Sign Bracket. Fastenal Part #21355 or approved equal.

Product shall conform to ASTM A307, Grade A, with ASTM F1941 finish (Fe/Zn 3AT).
3. Nut: 3/8"-16 Steel Hex Nut with Plain Finish, for Carriage Bolt. Grainger Product #2FE57 or approved equal.
4. Nut: 5/16" Flange Nut, Xcessories Squared Product #FN516-Z or approved equal.

Product shall conform to ASTM A194 with ASTM B695, Class 25 finish.
5. Nut: 3/8" Aluminum Breakaway Nut, Tufnut Product #VNA37 or approved equal.
6. Drive Rivet: 3/8" Aluminum Shell, Steel Drive Rivet with Nylon Washer. Xcessories Squared Product #DRAS3878-06-W or approved equal.
7. DG3 Sheeting, 2.5" x 6' with Protrusion for U-Channel Groove. Alpolic 350 with 3M Brand, Red Color, Diamond Grade Sheeting, Item #4092 or approved equal. Please see Attachment J for specifications.
8. DG3 Sheeting, 2" x 6' flat for Telespar. Alpolic 350 with 3M Brand, Red Color, Diamond Grade Sheeting, Item #4092 or approved equal. Please see Attachment I for specifications.
9. DG3 Sheeting, 2.5" x 6' with Protrusion for U-Channel Groove. Alpolic 350 with 3M Brand, Fluorescent Yellow Color, Diamond Grade Sheeting, Item #4081 or approved equal. Please see Attachment J for specifications.

10. DG3 Sheeting, 2" x 6' flat for Telespar. Alpolic 350 with 3M Brand, Fluorescent Yellow Color, Diamond Grade Sheeting, Item #4081 or approved equal. Please see Attachment I for specifications.
11. Surface Mount Kleen Break Assembly With Wedge Bolts, KB1 or approved equal. Please see Attachment K for specifications.
12. Ground Mount Kleen Break Assembly (Soil Anchor) or approved equal.
13. Shear Bolt, 5/8" - 11x4" Model 425, SBH or approved equal. Please see Attachment K for specifications.
14. Rubber Bushing, 3" O.D. x 1.3" I.D. x 0.0825", RB30 or approved equal. Please see Attachment K for specifications.
15. Post to Coupler Locking Wedge, LWX35 or approved equal. Please see Attachment K for specifications.
16. U-Flex Surface Mount 36" White Urethane Post With Round Top & Square Receiver 3"X12" White Orafol AR1000 Sheeting Wraps (2per post) or approved equal.
17. White 7x7 Base, 3/8" x6" Pin, & 5/16"x2-1/2 Flange Bolt & Lock Nut or approved equal.
18. U-Flex Surface Mount 36" Yellow Urethane Post 36" Yellow Urethane Post3"X12" Yellow Orafol AR1000 Sheeting Wraps (2per post) or approved equal.
19. Yellow 7x7 Base, 3/8" x6" Pin, & 5/16"x2-1/2 Flange Bolt & Lock Nut or approved equal.
20. Butyl Pad 8X8 Post Adhesive or approved equal.
21. Super Bituminous Pad Gray 8"X8" or approved equal.

Lot C: Post Extraction & Replacement Tools

1. Slug Punch: Xcessories Squared Part #SP8-4375 or approved equal.
2. Square Signpost Extractor (2" – 2 1/2"). JackJaw Part #JJ0304 or approved equal.

E. General Requirements.

1. The Successful Bidder shall furnish and provide inside delivery of Traffic Signposts, Fasteners and Related Tools to the Department of Public Works, Traffic Engineering Division, located at 10431 Woodman Road, Glen Allen, VA 23060.
2. All shipping and associated costs must be included in the price of the products.
3. The Successful Bidder shall be a firm regularly engaged in the sale and service of products as listed within the Invitation for Bid, and an authorized supplier of the products specified.
4. If Bidding an "equal" product, Bidder must include complete product specifications, dimensions and drawings with their bid submission. Failure to provide this documentation may result in your bid being declared non-responsive. Product samples may be requested.

5. After the award of the Contract, the Successful Bidder shall NOT substitute any product without written approval from the Director of Traffic Engineering.
6. Should the Successful Bidder fail to deliver product(s) as contracted, the County may procure the product(s) from other sources and hold the Successful Bidder responsible for any excess cost. Such excess cost shall be deducted from the funds already due to Successful Bidder.
7. The County reserves the right to cancel the Contract at any time should the Successful Bidder fail to furnish products meeting the standards and quantities established in the contract.
8. The County shall not be obligated to purchase or pay for products until they are ordered and received by authorized representatives of the County.
9. The County reserves the right to conduct any tests or evaluations deemed necessary to determine conformance of offered product within the specifications required. Standard tests may be conducted for any items delivered for the purpose of insuring satisfactory contractor performance. All products in this solicitation and resultant contract will also be subject to random product testing during the term of the contract.

F. Delivery Requirements.

1. The Department of Public Works, Traffic Engineering Division shall place individual or bulk orders with the Successful Bidder. These orders shall be placed via an agreed upon electronic method. If the Traffic Engineering Division is unable to place orders via electronic method, the Successful Bidder shall accept paper orders via email or fax.
2. The Successful Bidder shall provide 'as needed' deliveries. There shall be no additional delivery or fuel charges. Deliveries shall be made to:

County of Henrico
Public Works, Traffic Engineering Division
10431 Woodman Road
Glen Allen, VA 23060

3. Deliveries must be made within four (4) weeks of order.
4. The Traffic Engineering Division reserves the right to refuse any product delivered that has not been approved or ordered by an authorized representative.
5. The County has the right to refuse delivery of any damaged products. Damaged products shall be exchanged, or credit shall be issued on delivery ticket/invoice via credit memo.
6. The County agrees to only pay the contract price for items listed on the contract. If during the life of the contract, non-contract products are requested, the Successful Bidder must first obtain permission from the Director of Traffic Engineering before delivery of products. If permission is not granted, the County will not take financial responsibility for the products.

G. Invoicing Requirements.

1. The Successful Bidder shall submit itemized invoices with attachment(s) for payment. Invoices shall include, but not be limited to, Purchase order number(s), list of supplied materials, part numbers, quantities of parts, discount off MSRP, price, and total cost of materials purchased.
2. Unauthorized invoice charges will not be accepted. Any invoice submitted for payment with questionable charges will be returned to the Successful Bidder for review and must be resubmitted with an explanation as to the reason for the unauthorized charges.
3. Invoices shall be made to:

County of Henrico
Public Works, Traffic Engineering Division
P.O. Box 90775
Henrico, VA 23273-0775

H. Bid Submission Requirements.

1. Bidders shall submit as an attachment to eVA, a completed Bid Form in accordance with Section II.DD. Instructions for submission in eVA is included in Attachment L.
2. Complete bid submissions include the following documents:
 - a. Bid Form;
 - b. Bid Signature Sheet;
 - c. Business Category Classification Form (Attachment A);
 - d. Virginia State Corporation Commission (SCC) Registration Information (Attachment B);
 - e. Bidder's Reference Sheet (Attachment C) and,
 - f. If bidding an "equal" product, include product specifications, dimensions and drawings.

II. GENERAL TERMS AND CONDITIONS:

All Bidders shall note that the Invitation for Bid (IFB) method of procurement does not allow any modifications or exceptions to the County's Section II., GENERAL TERMS AND CONDITIONS. Any modifications or exceptions made to this section shall cause your bid response to be considered non-responsive.

A. Addenda:

1. Bidders are welcome to provide comments regarding how the bid documents, specifications or drawings can be improved. Bidders requesting clarification or interpretation of or improvements to the bid general terms, conditions, specifications or drawings shall make a written request which must reach the Purchasing Division, Department of Finance, at least eight (8) calendar days prior to the date set for the receipt of bids.
2. Any changes to the bid general terms, conditions, specifications or drawings shall be in the form of a written addendum from the Purchasing Division and it shall be signed by the Director of Purchasing, Department of Finance or a duly authorized representative.
3. An addendum shall be issued no later than six (6) calendar days prior to the date set for the receipt of bids. An addendum extending the date for the receipt of bids or an addendum withdrawing the Invitation for Bid may be issued anytime prior to the date set for the receipt of bids.
4. Each Bidder shall be responsible for determining that all addenda issued by the Purchasing Division for the Invitation for Bid have been received before submitting a bid for the work.
5. Each Bidder shall acknowledge the receipt of each addendum on the Bid Form.

B. Annual Appropriations:

The contract resulting from this procurement ("Contract") shall be subject to annual appropriations by the Board of Supervisors of Henrico County, Virginia (the "Board"). Should the Board fail to appropriate funds for this Contract, the Contract shall be terminated when existing funding is exhausted. The Successful Bidder ("Successful Bidder" or "Contractor") shall not be entitled to seek redress from the County of Henrico, Virginia (the "County") should the Board fail to make annual appropriations for the Contract.

C. Authorization to Transact Business in the Commonwealth (Va. Code §2.2-4311.2):

1. Any business entity that enters into a written contract with the County that is organized as a stock or nonstock corporation, limited liability company, business trust, or limited partnership or registered as a registered limited liability partnership must be authorized to transact business in the Commonwealth of Virginia as a domestic or foreign business entity if so required by Title 13.1 or Title 50 of the Code of Virginia, or as otherwise required by law.
2. Any business entity described in paragraph C.1 above that enters into a contract with the County must not allow its existence to lapse or allow its certificate of authority or registration to transact business in the Commonwealth of Virginia if so required by Title 13.1 or Title 50 of the Code of Virginia, to be revoked or cancelled at any time during the term of the contract.

3. Any business entity organized or authorized to transact business in the Commonwealth pursuant to Title 13.1 or Title 50 of the Code of Virginia must include in its bid or proposal the identification number issued to it by the State Corporation Commission. (Attachment B) Any business entity that is not required to be authorized to transact business in the Commonwealth as a foreign business entity under Title 13.1 or Title 50 of the Code of Virginia or as otherwise required by law must include in its bid a statement describing why the Bidder or offeror is not required to be so authorized.
4. A Bidder described in subsection 3 that fails to provide the required information shall not receive an award unless a written waiver is granted by the Director of Finance, his/her designee, or the County Manager.
5. Any falsification or misrepresentation contained in the statement submitted by the Bidder pursuant to Title 13.1 or Title 50 of the Code of Virginia may be cause for debarment by the County.
6. The County may, in its sole discretion, void any contract with a business entity if the business entity fails to remain in compliance with the provisions of this section, entitled "Authorization to Transaction Business in the Commonwealth."

D. Award of Contract:

1. The Purchasing Division reserves the right to waive any informality in bids and to award in part or in whole or to reject any or all bids. The reasons for the rejection shall be made a part of the contract file.
2. In case of a tie bid, preference shall be given to goods, services, and construction produced in the County or the State of Virginia or provided by persons, firms or corporations having principal places of business in the County or the State of Virginia, if such a choice is available; otherwise the tie shall be decided by lot. A County business shall be given preference over a State of Virginia business, if such a choice is available.
3. The Purchasing Division shall have the right, before awarding the contract, to require a Bidder to submit such evidence of its qualifications as it may deem necessary and may consider any evidence available to it concerning the financial, technical, and other qualifications and abilities of a Bidder. (See Attachment C)
4. It is the intent of the Purchasing Director to award a contract to the lowest responsive and responsible Bidder provided the bid does not exceed the funds available for the contract. **This bid will be awarded by Total Bid Price (Lot A through C).** (See the Bid Form).
5. Notice of award or intent to award is posted on the Purchasing Division website: <https://henrico.us/finance/divisions/purchasing>.
6. The Bidder to whom the contract is awarded shall, within fifteen (15) days after prescribed documents are presented for signature, execute and deliver to the Purchasing Division the contract forms and any other forms required by the bid.

E. Bid Security:

Bidder is not required to furnish a bid security with this bid.

F. Bidder's Representation:

1. By submitting a bid in response to this Invitation for Bid, the Bidder certifies that it has read and understands the bid documents, specifications, and drawings, if any, and has familiarized itself with all federal, state and local laws, ordinances, rules and regulations that in any manner may affect the cost, progress or performance of the work.

2. The failure or omission of any Bidder to receive or examine any form, instrument, addendum or other documents, or to acquaint itself with conditions existing at the site(s), shall in no way relieve any Bidder from any obligations with respect to its bid or to the contract.

G. Bonds:

The Successful Bidder is not required to furnish a Performance Bond and a Payment Bond for this contract.

H. Collusion:

By submitting a bid in response to this Invitation for Bid, the Bidder represents that in the preparation and submission of this bid, said Bidder did not, either directly or indirectly, enter into any combination or arrangement with any person, Bidder or corporation or enter into any agreement, participate in any collusion, or otherwise take any action in the restraint of free, competitive bidding in violation of the Sherman Act (15 U.S.C. Section 1) or Sections 59.1-9.1 through 59.1-9.17 or Sections 59.1-68.6 through 59.1-68.8 of the Code of Virginia.

I. Compensation:

1. The County shall not pay for any goods or services until the same have been actually received.
2. Successful Bidder shall provide the Purchasing Division their social security number upon request. Proprietorships, partnerships and corporations shall provide their federal employer identification numbers upon request (Va. Code § 2.2-4354.2).
3. The Successful Bidder shall submit a complete itemized invoice on each item or service, which is delivered under the contract. The Successful Bidder shall indicate the purchase order number on the front of each invoice and on the outside of each package or shipping container.
4. Cash discounts shall be deducted in accordance with the terms of the bid.
5. Payment shall be rendered to the Successful Bidder for satisfactory performance compliance with the general terms, conditions and specifications of this bid. The required payment date shall be either: (i) the date on which payment is due under the terms of the contract for the provision of such goods or services; or (ii) if such date is not established by contract, not more than forty-five days after goods or services are received or not more than forty-five (45) days after the Successful Bidder renders an invoice to the County, whichever is later (Va. Code § 2.2-4352).
6. Unless otherwise provided under the terms of the contract for the provisions of goods and services, if the County fails to pay by the payment date, the County agrees to pay the financial charge assessed by the Successful Bidder, which does not exceed one percent per month (Code of Virginia, Section 2.2-4354.4).

J. Contract Period:

1. The initial contract period shall be for the period of one year. The contract price shall remain firm at the bid price for the first six months of the initial contract period. The Successful Bidder may request a price increase for the remaining six months of the initial contract period, not to exceed 3% above the original contract rates unless written approval is given by the Purchasing Director. Any request for such a price increase shall (1) be submitted to the Purchasing Director a minimum of 30 days before the new contract price would take effect and (2) include sufficient supporting documentation to justify an increase in the contract price.

2. The contract may be renewed for (4) additional one-year periods. At least 60 days before the end of an annual term, the Successful Bidder shall give the County written notice of a contract price increase. The contract price for each renewal term shall not exceed 3% above the contract price in place immediately before the renewal term starts unless written approval is given by the Purchasing Director. The contract price for each renewal term shall remain firm for the entire annual term. The Successful Bidder shall not request a contract price increase during any renewal term.
3. The Successful Bidder shall give at least 60 days' written notice to the County it does not intend to renew the contract.
4. The contract shall not exceed a maximum of five (5) years.

K. Controlling Law; Venue

This contract is made, entered into, and shall be performed in the County, and shall be governed by the applicable laws of the Commonwealth of Virginia. Any dispute arising out of the contract resulting from this Invitation for Bid, its interpretations, or its performance shall be litigated only in the Henrico County General District Court or the Circuit Court of the County of Henrico, Virginia.

L. County License Requirement:

1. If a business is located in the County, it shall be unlawful to conduct or engage in that business without obtaining a business license. If your business is located in the County, include a copy of your current business license with your bid. If you have any questions, contact the Business Section, Department of Finance, County of Henrico, telephone (804) 501-4310.
2. If you are a contractor or speculative builder and (i) your principal or branch office is in the County or (ii) you do more than \$25,000 of business in the County, you are required to have a business license from the County. If you meet either of the above requirements, include a copy of your current license with your bid. The terms "contractor" and speculative builder" are defined in the County Code, §§ 20-558 and 20-560. If you have any questions, contact the Business Section, Department of Finance, County of Henrico, telephone (804) 501-4310.

M. Default:

1. If the Successful Bidder is wholly responsible for a failure to perform the Contract (including, but not limited to, failure to make delivery of goods, failure to complete implementation and installation, and/or if the goods and/or services fail in any way to perform as specified herein), the County may consider the Successful Bidder to be in default. In the event of default, the County will provide the Successful Bidder with written notice of default, and the Successful Bidder shall provide a plan to correct said default within 20 calendar days of the County's notice of default.
2. If the Successful Bidder fails to cure said default within 20 days, the County, among other actions, may complete the Contract work through a third party, and the Successful Bidder shall be responsible for any amount in excess of the Contract price incurred by the County in completing the work to a capability equal to that specified in the Contract.

N. Drug-Free Workplace to be Maintained by the Contractor (Va. Code § 2.2-4312)

1. During the performance of this contract, the Contractor agrees to (i) provide a drug-free workplace for the Contractor's employees; (ii) post in conspicuous places, available to employees and applicants for employment, a statement notifying employees that the unlawful manufacture, sale, distribution, dispensation, possession, or use of a controlled substance or marijuana is prohibited in the Contractor's workplace and

specifying the actions that will be taken against employees for violations of such prohibition; (iii) state in all solicitations or advertisements for employees placed by or on behalf of the Contractor that the Contractor maintains a drug-free workplace; and (iv) include the provisions of the foregoing clauses in every subcontract or purchase order of over \$10,000, so that the provisions will be binding upon each subcontractor or vendor.

2. For the purposes of this section, “*drug-free workplace*” means a site for the performance of work done in connection with a specific contract awarded to a Contractor in accordance with the Virginia Public Procurement Act, the employees of whom are prohibited from engaging in the unlawful manufacture, sale, distribution, dispensation, possession or use of any controlled substance or marijuana during the performance of the contract.

O. Employment Discrimination by Successful Bidder Prohibited:

1. During the performance of this contract, the Successful Bidder agrees as follows (Va. Code § 2.2-4311):
 - (a) The Successful Bidder will not discriminate against any employee or applicant for employment because of race, religion, color, sex, national origin, age, disability, or other basis prohibited by state law relating to discrimination in employment, except where there is a bona fide occupational qualification reasonably necessary to the normal operation of the Successful Bidder. The Successful Bidder agrees to post in conspicuous places, available to employees and applicants for employment, notices setting the provisions of this nondiscrimination clause.
 - (b) The Successful Bidder, in all solicitations or advertisements for employees placed by or on behalf of the Successful Bidder, will state that such contractor is an equal opportunity employer.
 - (c) Notices, advertisements and solicitations placed in accordance with federal law, rule or regulation shall be deemed sufficient for the purpose of meeting the requirements of this section.
2. The Successful Bidder shall include the provisions of the foregoing paragraphs of this section in every subcontract or purchase order of over \$10,000, so that the provisions will be binding upon each subcontractor or vendor.

P. Employment of Unauthorized Aliens Prohibited:

As required by Va. Code §2.2-4311.1, the Successful Bidder does not, and shall not during the performance of this agreement, in the Commonwealth of Virginia knowingly employ an unauthorized alien as defined in the federal Immigration Reform and Control Act of 1986.

Q. Environmental Management:

The Contractor shall comply with all applicable federal, state, and local environmental regulations. The Contractor is required to abide by the County’s Environmental Policy Statement: http://www.henrico.us/pdfs/risk/env_policy.pdf which emphasizes environmental compliance, pollution prevention, continual improvement, and conservation. The Contractor shall be properly trained and have any necessary certifications to carry out environmental responsibilities. The Contractor shall immediately communicate any environmental concerns or incidents to the assigned County Project Manager and the County Risk Manager.

R. General:

1. Sealed bids in accordance with the conditions, specifications, and instructions below and on the attached sheets or drawings hereto, if any, will be received through eVA, the Commonwealth of Virginia’s Procurement Portal (<https://eva.virginia.gov>) until, but no

later than the time and date specified in the Invitation for Bid. **Sealed bids will only be accepted through eVA.**

2. In the solicitation or awarding of contracts, the County shall not discriminate because of the race, religion, color, sex, national origin, age, disability or any other basis prohibited by state law relating to discrimination in employment.
3. The County utilizes the Commonwealth of Virginia eVA Supplier Web Site for selection of Bidders. If your company is not registered, a supplier application is available on the eVA web site, <https://eva.virginia.gov>.

S. Indemnification:

The Successful Bidder agrees to indemnify, defend and hold harmless the County (including Henrico Public County Schools), the County's officers, agents and employees from any claims, damages, suits, actions, liabilities and costs of any kind or nature, including attorneys' fees, arising from or caused by the provision of any services, the failure to provide any services or the use of any services or materials furnished (or made available) by the Successful Bidder, provided that such liability is not attributable to the County's sole negligence.

T. Insurance:

The Successful Bidder shall maintain insurance to protect itself and the County and the County's elected officials, officers, agents, volunteers and employees from claims under the Workers' Compensation Act, and from any other claim for damages for personal injury, including death, and for damages to property which may arise from the provision of services under the Contract, whether such services are provided by the Successful Bidder or by any subcontractor or anyone directly employed by either of them. Such insurance shall conform to the Insurance Specifications. (See Attachment D)

U. Modification of Bids:

1. A bid may be modified or withdrawn by the Bidder any time prior to the time and date set for the receipt of bids.
2. Modified and withdrawn bids may be resubmitted through eVA up to the time and date set for the receipt of bids.
3. No bid can be withdrawn after the time set for the receipt of bids and for ninety (90) days thereafter except as provided under the Withdrawal of Bid due to Error section.

V. Negotiation with the Lowest Bidder:

1. If all bids received exceed the available funds for the proposed purchase, the County, pursuant to County Code provisions, may meet with the lowest responsive and responsible Bidder to discuss a reduction in the scope for the proposed purchase and negotiate a contract price within the available funds (County Code 16-48).
2. After bid negotiations, the lowest responsible Bidder shall submit an addendum to its bid, which addendum shall include the change in scope for the proposed purchase, the reduction in price and the new contract value.
3. If the proposed addendum is acceptable to the County, the County may award a contract within funds available to the lowest responsible Bidder based upon the amended bid.
4. If the County and the lowest responsible Bidder cannot negotiate a contract within available funds, all bids shall be rejected.

W. No Discrimination against Faith-Based Organizations:

The County does not discriminate against faith-based organizations as that term is defined in Va. Code § 2.2-4343.1.

X. Opening of Bids:

1. All bids received on time by the Purchasing Division through eVA, the Commonwealth of Virginia's Procurement Portal (<https://eva.virginia.gov>) will be opened and publicly read aloud through a WebEx meeting at <https://henrico.webex.com/meet/jet005> and by phone at 1(415) 655-0002 US Toll; Access Code 180-915-0486. The WebEx meeting will be made available for joining five (5) minutes prior to public opening.
2. Any competitive sealed bidding Bidder, upon request, shall be afforded the opportunity to inspect bid records within a reasonable time after the opening of all bids but prior to award, except in the event that the County decides not to accept any of the bids and to reopen the contract. Otherwise, bid records shall be open to public inspection only after award of the contract (Va. Code § 2.2-4342C).
3. Any inspection of procurement transaction records shall be subject to reasonable restrictions to ensure the security and integrity of the records (Va. Code § 2.2-4342E).

Y. Product Evaluation/Testing:

1. The Purchasing Division shall have the option to evaluate and/or test any item offered in this Invitation for Bid prior to award of the contract. If the Purchasing Division elects to evaluate and/or test an item, the Bidder shall provide all samples required for evaluation and/or testing at no charge within **7 (seven) calendar days** of the request by the Purchasing Division. Samples shall be sent to:

County of Henrico
Attention: Melody E. Jett
Purchasing Division
8600 Staples Mill Road
Henrico, VA 23228

2. Upon the completion of the evaluation and/or testing by the Purchasing Division, the Bidder shall be responsible for the pick-up/return freight of the samples. If return arrangements are not confirmed within seven (7) calendar days after notification from the Purchasing Division that samples are available for return, the Purchasing Division reserves the right to dispose of said samples.

Z. Record Retention/County Audits:

1. The Successful Bidder shall retain, during the performance of the contract and for a period of five years from the completion of the contract, all records pertaining to the Successful Bidder's bid and any contract awarded pursuant to this Invitation for Bid. Such records shall include but not be limited to all paid vouchers including those for out-of-pocket expenses; other reimbursement supported by invoices, including Successful Bidder's copies of periodic estimates for partial payment; ledgers, cancelled checks; deposit slips; bank statements; journals; contract amendments and change orders; insurance documents; payroll documents; timesheets; memoranda; and correspondence. Such records shall be available to the County on demand and without advance notice during the Successful Bidder's normal working hours.
2. County personnel may perform in-progress and post-performance audits of the Successful Bidder's records as a result of a contract awarded pursuant to this Invitation for Bid. Files shall be available on demand and without notice during normal working hours.

AA. Safety:

1. The Successful Bidder shall comply with and ensure that the Successful Bidder's personnel comply with all current applicable local, state and federal policies, regulations and standards relating to safety and health, including, by way of illustration and not limitation, the standards of the Virginia Occupational Safety and Health Administration for the industry. The provisions of all rules and regulations governing safety as adopted by the Safety and Health Codes Board of the Commonwealth of Virginia and issued by the Department of Labor and Industry under Title 40.1 of the Code of Virginia shall apply to all work under the Contract. The Successful Bidder shall provide or cause to be provided all technical expertise, qualified personnel, equipment, tools and materials to safely accomplish the work specified and performed by the Successful Bidder.
2. The Successful Bidder shall have, at each location at which the Successful Bidder provides goods and/or services, a supervisor who is competent, qualified, or authorized on the work site, and who is familiar with policies, regulations and standards applicable to the work being performed. The supervisor must be capable of identifying existing and predictable hazards in the surroundings or working conditions which are hazardous or dangerous to employees or the public and must be capable of ensuring that applicable safety regulations are complied with, and shall have the authority and responsibility to take prompt corrective measures, which may include removal of the Successful Bidder's personnel from the work site.
3. In the event the County determines any operations of the Successful Bidder to be hazardous, the Successful Bidder shall immediately discontinue such operations upon receipt of either written or oral notice by the County to discontinue such practice.

BB. Minority-, Woman-, Service Disabled Veteran-Owned, Small Business and Employment Services Organizations:

1. It is the policy of the County to actively seek out and provide contracting opportunities to minority-, woman-, service disabled veteran-owned, small businesses and employment services organizations in procurement transactions made by the County.
2. The County strongly encourages all suppliers to respond to Invitations for Bids and Request for Proposals and supports the use of minority, woman-, service disabled veteran-owned, small businesses and employment services organizations for sub-contracting opportunities.
3. All formal solicitations are posted on the Commonwealth of Virginia eVA website and the County's website at <https://henrico.us/finance/divisions/purchasing/> and may be viewed under the Bids and Proposals link.

CC. Subcontracts:

No portion of the work shall be subcontracted without prior written consent of the County. In the event that the Successful Bidder desires to subcontract some part of the work specified in the Contract, the Successful Bidder shall furnish the County the names, qualifications, and experience of the proposed subcontractors. The Successful Bidder shall, however, remain fully liable and responsible for the work to be done by his/her subcontractor(s) and shall assure compliance with all the requirements of the Contract.

DD. Submission of Bids:

1. All Bidders shall use the enclosed Bid Form in submitting their bid prices through eVA. **The Purchasing Division shall not accept oral bids or bids received by telephone, telecopier (FAX machine), email or hard copy submissions. Bids will only be accepted through eVA.**
2. All prices must be F.O.B. delivered to the point as indicated in this bid. The County will grant no allowance for boxing, crating, or delivery unless specifically provided for in this bid.
3. The Bid Form must be completed in blue or black ink. Discrepancies in the multiplication of units of work and the unit prices will be resolved in favor of the correct multiplication of the unit prices. Discrepancies between the indicated sum of any column of figures and the correct sum thereof will be resolved in favor of the correct sum.
4. All erasures, insertions, additions, and other changes made by the Bidder to the Bid Form shall be signed or initialed by the Bidder. Bids containing any conditions, omissions, erasures, alterations, or items not called for in the bid, may be rejected by the Purchasing Division as being incomplete or nonresponsive.
5. The Bid Form must be signed in order to be considered. If the Bidder is a corporation, the bid must be submitted in the name of the corporation, not simply the corporation's trade name. In addition, the Bidder must indicate the corporate title of the individual signing the bid.
6. Bidders must upload and submit all required documents and pricing by the time and due date for the Bids. eVA will automatically determine the time for the receipt of Bids. eVA will not permit a Bidder to submit a Bid after the time for receipt of bids. Bidders bear all responsibility for ensuring their Bids and supporting documentation are submitted on time. The County bears no responsibility for a Bidder's inability to submit a complete Bid submission timely for any reason, any problems with internet connectivity, or the Bidder inability to access eVA. Bidders are encouraged to submit bids with sufficient time to resolve any technical problems they may experience.
7. The time for the receipt of bids shall be determined by the time clock in eVA. Bidders are responsible for ensuring that their bids are submitted in eVA by the deadline indicated.
8. All bids received in eVA by the deadline indicated will be kept sealed and unopened until the time and date set for the opening of bids.
9. All line items must be filled in. It is understood and agreed, if Bidder indicates a "0" dollar amount on the Bid Form, the product or service shall be provided at no charge.

EE. Successful Bidder's Obligation to Pay Subcontractors:

1. The Successful Bidder awarded the contract for this project shall take one of the two following actions within seven (7) days after the receipt of amounts paid to the Successful Bidder by the County for work performed by the Successful Bidder's subcontractor(s) under the contract (Va. Code § 2.2-4354):
2. Pay the subcontractor(s) for the proportionate share of the total payment received from the County attributable to the work performed by the subcontractor(s) under the contract; or
3. Notify the County and subcontractor(s), in writing, of their intention to withhold all or a part of the subcontractor's payment with the reason for nonpayment.
4. The Successful Bidder shall pay interest to the subcontractor(s) on all amounts owed by the Successful Bidder that remain unpaid after seven (7) days following receipt by the

Successful Bidder of payment from the County for work performed by the subcontractor(s) under the contract, except for amounts withheld as allowed in subparagraph 1.(b) of this section. Unless otherwise provided under the terms of this contract, interest shall accrue at the rate of one percent (1%) per month.

5. The Successful Bidder shall include in each of its subcontracts a provision requiring each subcontractor to include or otherwise be subject to the same payment and interest requirements with respect to each lower-tier subcontractor(s).
6. The Successful Bidder's obligation to pay an interest charge to a subcontractor(s) pursuant to the payment clause in this section may not be construed to be an obligation of the County. A contract modification may not be made for the purpose of providing reimbursement for such interest charge and a cost reimbursement claim shall not include any amount for reimbursement for such interest charge.

FF. Successful Bidder's Performance:

1. Goods and services must be delivered and rendered strictly in accordance with this bid and shall not deviate in any way from the terms, conditions, prices, quality, quantity, delivery instructions, and specifications of this bid.
2. All goods and/or services delivered and/or rendered shall comply with all applicable federal, state, and local laws, and shall not infringe any valid patent or trademark. The Successful Bidder shall indemnify, keep, save, and hold the County, its officers and employees, harmless from any liability for infringement and from any and all claims or allegations of infringement by the Bidder or the County, its officers and employees, arising from, growing out of, or in any way involved with the goods delivered or services rendered pursuant to this purchase.
3. In the event that suit is brought against the County (including Henrico County Public Schools), its officers and/or its employees, either independently or jointly with the Successful Bidder, the Successful Bidder shall defend the County, its officers and employees, in any such suit at no cost to the County and the County's officers and employees. In the event that final judgment is obtained against the County, its officers, and/or its employees, either independently or jointly with the Successful Bidder, then the Successful Bidder shall pay such judgment, including costs and attorneys fees, if any, and hold the County, its officers and employees, harmless therefrom.
4. The Successful Bidder shall ensure that its employees shall observe and exercise all necessary caution and discretion so as to avoid injury to person or damage to property of any and all kinds.
5. The Successful Bidder shall not, in its product literature or advertising, refer to this purchase or the use of the Bidder's goods or services by the County, Virginia.
6. The Successful Bidder shall cooperate with County officials in performing the specified work so that interference with the County's activities will be held to a minimum.
7. The Successful Bidder shall be solely responsible for initiating, maintaining, and supervising all safety precautions and programs. The provisions of all rules and regulations governing safety as adopted by the Safety Codes Commission of the Commonwealth of Virginia and as issued by the Department of Labor and Industry under Title 40.1 of the Code of Virginia shall apply to all work under this purchase order.

GG. Taxes:

1. The County is exempt from the payment of federal excise or state sales taxes on all tangible, personal property for its use or consumption except taxes paid on materials that will be installed by the Bidder and become a part of real property.
2. If a Bidder is bidding on materials that require installation by the Bidder and become a part of real property, the applicable taxes shall be included in the lump sum bid price for the installation of the material and not as a separate charge for taxes. The taxes shall be an obligation of the Successful Bidder and not of the County, and the County shall be held harmless for same by the Successful Bidder.
3. The Purchasing Division will furnish a Tax Exemption Certificate (Form ST-12) upon request and if applicable to this contract.
4. When a Bidder lists a separate tax charge on the Bid Form and the tax is not applicable to the purchase by the County, the Bidder will be allowed to delete the tax from its bid.

HH. Termination of the Contract:

1. If the Successful Bidder should be adjudged bankrupt, or make a general assignment for the benefit of its creditors, or if a receiver should be appointed on account of the Successful Bidder's insolvency, or if the Successful Bidder should persistently or repeatedly refuse or should fail, except in cases for which extension of time is provided, to deliver the goods or services within the time specified, or if the Successful Bidder otherwise defaults, then the County may without prejudice to any other right or remedy, and after giving the Successful Bidder seven (7) calendar days written notice, terminate the employment of the Successful Bidder and procure such goods or services from other sources. In such event, the Successful Bidder shall be liable to the County for any additional cost occasioned by such failure or other default.
2. In such cases, the Successful Bidder shall not be entitled to receive any further payment. If the expense of finishing the contract requirements, including compensation for additional managerial and administrative services shall exceed the unpaid balance of the contract price, the Successful Bidder shall pay the difference to the County.
3. Notwithstanding anything to the contrary contained in the contract between the County and the Successful Bidder, the County may, without prejudice to any other rights it may have, terminate the contract for convenience and without cause, by giving 30 days written notice to the Successful Bidder.

II. Trade Secrets/Proprietary Information:

Subject to the limitations of Va. Code § 2.2-4342(F), trade secrets or proprietary information submitted by a Bidder in connection with this procurement transaction shall not be subject to public disclosure under the Virginia Freedom of Information Act; however, the Bidder must invoke the protection of this section prior to or upon submission of data or materials, and must identify the data or other materials to be protected and state the reasons why protection is necessary (Va. Code § 2.2-4342(F)).

JJ. Use of Brand Names/Product Information:

1. Unless otherwise provided in the Invitation for Bid, the name of a certain brand, make or manufacturer does not restrict Bidders to the specific brand, make or manufacturer named; it conveys the general style, type, character, and quality of the article desired, and any article which the public body in its sole discretion determines to be the equal of that specified, considering quality, workmanship, economy of operation, and suitability for the purpose intended, shall be accepted (Va. Code § 2.2-4315).

2. If bidding other than specified, the Bidder will clearly and specifically identify the product being offered and enclose complete and detailed descriptive literature, catalog cuts and specifications with the Bid Form to enable the Purchasing Division to determine whether the product offered meets the requirements of the solicitation. Safety Data Sheets and descriptive literature will be provided with the Bid Form for each chemical and/or compound offered. Failure to do so may cause the bid to be considered nonresponsive and rejected.
3. It shall be understood that the burden of proof for an "equal" product shall be and remain the sole responsibility of the Bidder. The County's decision of approval or disapproval of a proposed alternate shall be final. Nothing herein is intended to exclude any responsible Bidder, its product or service or in any way restrain or restrict competition.

KK. Withdrawal of Bid Due to Error (Other than Construction):

1. A Bidder may withdraw its bid from consideration if the price bid was substantially lower than the next low responsive bid due solely to a mistake therein, provided the bid was submitted in good faith, and the mistake was a clerical mistake as opposed to a judgment mistake, and was actually due to an unintentional arithmetic error or an unintentional omission of a quantity of work, or material made directly in the compilation of a bid, which unintentional arithmetic error or unintentional omission can be clearly shown by objective evidence drawn from inspection of original work papers, documents and materials used in the preparation of the bid sought to be withdrawn.
2. The Bidder shall give written notice of their claim to withdraw their bid to the Purchasing Division within two business days after the conclusion of the bid opening procedure. (Va. Code § 2.2-4330). Written notice shall be emailed to the Purchasing Director at kno008@henrico.us with a copy to Melody Jett at jet005@henrico.us and must include all work papers, documents and materials used in the preparation of the Bid.
3. The Purchasing Division will inspect the written evidence submitted by the Bidder with the request and if the Purchasing Division can verify to its satisfaction and sole discretion that the mistake was a non-judgmental mistake, the Bidder will be allowed to withdraw the bid.
4. No bid shall be withdrawn under this section when the result would be the awarding of the contract on another bid of the same Bidder or of another Bidder in which the ownership of the withdrawing Bidder is more than five percent (5%). (Va. Code § 2.2-4330C).
5. No Bidder who is permitted to withdraw a bid shall, for compensation, supply any material or labor to or perform any subcontract or other work agreement for the person or firm to whom the contract is awarded or otherwise benefit directly or indirectly from the performance of the project for which the withdrawn bid was submitted.
6. If a bid is withdrawn under authority of this section, the next lowest responsive and responsible Bidder shall be deemed to be the low Bidder.
7. If the Purchasing Division denies the withdrawal of a bid under the provisions of this section, it shall notify the Bidder in writing stating the reasons for its decision and award the contract to such Bidder at the bid price, provided such Bidder is a responsible and responsive Bidder.

LL. Occupational Safety & Health Policy Statement:

The Contractor shall comply with all applicable federal, state, and local occupational safety and health standards. The Contractor is required to abide by the County's Occupational Safety & Health Policy Statement: https://henrico.us/pdfs/risk/h_safety_policy.pdf which emphasizes maintaining a safe and healthy work environment for all employees, volunteers, and contractors who access County property and locations. The Contractor shall be properly trained and have any necessary certifications to carry out occupational safety and health policy responsibilities. The Contractor shall immediately communicate any concerns or incidents to the assigned County Project Manager and the County Risk Manager.

BID FORM

County of Henrico
Department of Finance
Purchasing Division
8600 Staples Mill Road
P. O. Box 90775
Henrico, Virginia 23273-0775

I/We hereby propose to furnish all tools, labor and equipment necessary to provide inside delivery of Traffic Signposts, Fasteners and Related Tools, in accordance with the enclosed general terms, conditions and specifications contained in **IFB No. 22-2322-3MEJ**. The Bid Form must be completed in blue or black ink. Discrepancies in the multiplication of units of work and the unit prices will be resolved in favor of the correct multiplication of the unit prices. Discrepancies between the indicated sum of any column of figures and the correct sum thereof will be resolved in favor of the correct sum. My/Our prices are as follows:

PRICES QUOTED SHALL BE FOB DESTINATION. Freight charges and any other associated cost shall be included in the bid price.

Quantities listed are an estimate only; actual usage could be more or less during the contract period.

BIDDERS MUST BID ON ALL ITEMS IN EACH LOT TO BE CONSIDERED FOR AWARD.

BIDDERS WISHING TO BID AN “APPROVED EQUAL” MUST PROVIDE COMPREHENSIVE SPECIFICATION AND DRAWING SHEETS ON THAT PRODUCT(S). FAILURE TO PROVIDE SPECIFICATIONS AND DRAWINGS MAY RESULT IN YOUR BID BEING DECLARED NON-RESPONSIVE.

Please see attached Excel Document

BID FORM

My/Our payment terms are:_____. If Bidder offers a cash discount for prompt payment, it will only be considered in determining the lowest responsible Bidder if the Bidder allows at least twenty (20) days for the prompt payment after the goods or services are received or after the invoice is rendered, whichever is later.

Indicate whether your business _____is or _____is not located in the County, if it is, please include a copy of your County business license with your bid.

I/We acknowledge the receipt of:

Addendum No._____Dated_____.

Addendum No._____Dated_____.

Addendum No._____Dated_____.

BID SIGNATURE SHEET

My signature certifies that the bid as submitted complies with all requirements specified in this Invitation for Bid (“IFB”) 22-2322-3MEJ – Annual Contract for Traffic Sign Posts, Fasteners and Related Tools.

My signature also certifies that by submitting a bid in response to this IFB, the Bidder represents that in the preparation and submission of this bid, the Bidder did not, either directly or indirectly, enter into any combination or arrangement with any person or business entity, or enter into any agreement, participate in any collusion, or otherwise take any action in the restraining of free, competitive bidding in violation of the Sherman Act (15 U.S.C. Section 1) or Sections 59.1-9.1 through 59.1-9.17 or Sections 59.1-68.6 through 59.1-68.8 of the Code of Virginia.

I hereby certify that I am authorized to sign as a legal representative for the business entity submitting this bid.

LEGAL NAME OF BIDDER (DO <u>NOT</u> USE TRADE NAME):
ADDRESS:
SIGNATURE:
NAME OF PERSON SIGNING (print):
TITLE:
TELEPHONE:
FAX:
E-MAIL ADDRESS:
DATE:

ATTACHMENT A BUSINESS CATEGORY CLASSIFICATION FORM

Company Legal Name: _____

This form completed by: Signature: _____ Title: _____

Date: _____

PLEASE SPECIFY YOUR BUSINESS CATEGORY BY CHECKING THE APPROPRIATE BOX(ES) BELOW.

(Check all that apply.)

- SMALL BUSINESS
- WOMEN-OWNED BUSINESS
- MINORITY-OWNED BUSINESS
- SERVICE-DISABLED VETERAN
- EMPLOYMENT SERVICES ORGANIZATION
- NON-SWaM (Not Small, Women-owned or Minority-owned)

SUPPLIER REGISTRATION – The County of Henrico encourages all suppliers interested in doing business with the County to register with eVA, the Commonwealth of Virginia’s electronic procurement portal, <http://eva.virginia.gov>.

eVA Registered? Yes No

If certified by the Virginia Minority Business Enterprises (DMBE), provide DMBE certification number and expiration date.

_____ NUMBER

_____ DATE

DEFINITIONS

For the purpose of determining the appropriate business category, the following definitions apply:

"Small business" means a business, independently owned and controlled by one or more individuals who are U.S. citizens or legal resident aliens, and together with affiliates, has 250 or fewer employees, or annual gross receipts of \$10 million or less averaged over the previous three years. One or more of the individual owners shall control both the management and daily business operations of the small business.

"Women-owned business" means a business that is at least 51 percent owned by one or more women who are U.S. citizens or legal resident aliens, or in the case of a corporation, partnership, or limited liability company or other entity, at least 51 percent of the equity ownership interest is owned by one or more women who are U.S. citizens or legal resident aliens, and both the management and daily business operations are controlled by one or more women.

"Minority-owned business" means a business that is at least 51 percent owned by one or more minority individuals who are U.S. citizens or legal resident aliens, or in the case of a corporation, partnership, or limited liability company or other entity, at least 51 percent of the equity ownership interest in the corporation, partnership, or limited liability company or other entity is owned by one or more minority individuals who are U.S. citizens or legal resident aliens, and both the management and daily business operations are controlled by one or more minority individuals.

"Minority individual" means an individual who is a citizen of the United States or a legal resident alien and who satisfies one or more of the following definitions:

1. "African American" means a person having origins in any of the original peoples of Africa and who is regarded as such by the community of which this person claims to be a part.
2. "Asian American" means a person having origins in any of the original peoples of the Far East, Southeast Asia, the Indian subcontinent, or the Pacific Islands, including but not limited to Japan, China, Vietnam, Samoa, Laos, Cambodia, Taiwan, Northern Mariana Islands, the Philippines, a U.S. territory of the Pacific, India, Pakistan, Bangladesh, or Sri Lanka and who is regarded as such by the community of which this person claims to be a part.
3. "Hispanic American" means a person having origins in any of the Spanish-speaking peoples of Mexico, South or Central America, or the Caribbean Islands or other Spanish or Portuguese cultures and who is regarded as such by the community of which this person claims to be a part.
4. "Native American" means a person having origins in any of the original peoples of North America and who is regarded as such by the community of which this person claims to be a part or who is recognized by a tribal organization.

"Service disabled veteran business" means a business that is at least 51 percent owned by one or more service disabled veterans or, in the case of a corporation, partnership, or limited liability company or other entity, at least 51 percent of the equity ownership interest in the corporation, partnership, or limited liability company or other entity is owned by one or more individuals who are service disabled veterans and both the management and daily business operations are controlled by one or more individuals who are service disabled veterans.

"Service disabled veteran" means a veteran who (i) served on active duty in the United States military ground, naval, or air service, (ii) was discharged or released under conditions other than dishonorable, and (iii) has a service-connected disability rating fixed by the United States Department of Veterans Affairs.

"Employment services organization" means an organization that provides community-based employment services to individuals with disabilities that is an approved Commission on Accreditation of Rehabilitation Facilities (CARF) accredited vendor of the Department of Aging and Rehabilitative Services.

ATTACHMENT B

VIRGINIA STATE CORPORATION COMMISSION (SCC)
REGISTRATION INFORMATION

The Bidder:

is a corporation or other business entity with the following SCC identification number:

_____ **-OR-**

is not a corporation, limited liability company, limited partnership, registered limited liability partnership, or business trust **-OR-**

is an out-of-state business entity that does not regularly and continuously maintain as part of its ordinary and customary business any employees, agents, offices, facilities, or inventories in Virginia (not counting any employees or agents in Virginia who merely solicit orders that require acceptance outside Virginia before they become contracts, and not counting any incidental presence of the Bidder in Virginia that is needed in order to assemble, maintain, and repair goods in accordance with the contracts by which such goods were sold and shipped into Virginia from Bidder's out-of-state location) **-OR-**

is an out-of-state business entity that is including with this bid/proposal an opinion of legal counsel which accurately and completely discloses the undersigned Bidder's current contacts with Virginia and describes why those contacts do not constitute the transaction of business in Virginia within the meaning of § 13.1-757 or other similar provisions in Titles 13.1 or 50 of the Code of Virginia.

Please check the following box if you have not checked any of the foregoing options but currently have pending before the SCC an application for authority to transact business in the Commonwealth of Virginia and wish to be considered for a waiver to allow you to submit the SCC identification number after the due date for bids:

ATTACHMENT C

BIDDER'S REFERENCE SHEET

Each Bidder shall complete this Bidder's Reference Sheet for evaluation by the County of Henrico and submit it with the Bid Form.

1. Years in Business: Indicate the length of time you have been in business providing this type of goods/services.

2. Reference:

Indicate below a listing of at least 3 recent references for which you have provided this type of goods/services. Include the date service was furnished and the name and address of the client; and the name, email address and telephone number of the contact person.

1. Date: _____

Client: _____

Address: _____

Contact Person: _____

Phone Number: _____

Email: _____

2. Date: _____

Client: _____

Address: _____

Contact Person: _____

Phone Number: _____

Email: _____

3. Date: _____

Client: _____

Address: _____

Contact Person: _____

Phone Number: _____

Email: _____

**ATTACHMENT D
Insurance Specifications
County of Henrico**

The following insurance coverages and limits are required in order to provide goods, services, construction, professional and non-professional services to Henrico County general government agencies and Henrico County Public Schools. These requirements are specific to this procurement and may or may not be the same for future requests.

Please be sure and review the Additional Requirements Section

The Successful Bidder shall carry Public Liability Insurance in the amount specified below, including contractual liability assumed by the Successful Bidder, and shall deliver a Certificate of Insurance from carriers licensed to do business in the Commonwealth of Virginia and that is representative of the insurance policies. The Certificate shall show that the policy has been endorsed to add the County of Henrico and Henrico County Public Schools named as an additional insured for the Commercial General Liability coverage. **The certificate must not show in the description of operations section that is issued specific to any bid, job, or contract.** The coverage shall be provided by a carrier(s) rated not less than "A-" with a financial rating of at least VII by A.M. Best or a rating acceptable to the County. In addition, the Successful Bidder shall agree to give the County a minimum of 30 days prior notice of any cancellation or material reduction in coverage.

Workers' Compensation

Statutory Virginia Limits

Employers' Liability Insurance - \$100,000 for each Accident by employee
 \$100,000 for each Disease by employee
 \$500,000 policy limit by Disease

Commercial General Liability

\$1,000,000 each occurrence including contractual liability for specified agreement
\$2,000,000 General Aggregate (other than Products/Completed Operations)
\$2,000,000 General Liability-Products/Completed Operations
\$1,000,000 Personal and Advertising injury
\$ 100,000 Fire Damage Legal Liability

Business Automobile Liability – including owned, non-owned and hired car coverage

Combined Single Limit - \$1,000,000 each accident

Umbrella Liability

\$2,000,000 Per Occurrence and in the aggregate

Additional Requirements

In addition to the requirements above, the Successful Bidder shall thoroughly review the scope of work that is included and if any of the following are included in the services that will be provided, the following additional insurance will be required, if checked:

- Professional Liability - \$2,000,000 Per Occurrence (or limit in accordance with statute for Medical Professional)**
Required if the Scope includes providing advice or consultation including but not limited to; lawyers, bankers, physicians, programming, design (including construction design), architects & engineers and others who require extensive education and/or licensing to perform their duties.

- Cyber Liability - \$2,000,000 Per Occurrence**
Required if the Scope includes the collection and electronic transmittal of Protected Health Information (PHI), or any other demographic data on individuals including but not limited to Name, Address, Social Security Numbers or any other sort of personally identifying information.

- Abuse and Molestation Coverage - \$1,000,000 Per Occurrence**
Required if the scope of work includes the offering of professional or non-professional services to any child or student where one on one contact or consultation is to be provided.

- Pollution Liability - \$1,000,000 Per Occurrence**
Required if the scope of work involves the use (other than in a motor vehicle) or removal of a substance or energy introduced into the environment that potentially has an undesired effect or affects the usefulness of a resource. These include, but are not limited to Asbestos, PCB's, Lead, Mold, and Fuels.

- Explosion, Collapse & Underground Coverage (XCU)**
Required of a Contractor in limits equal to the General Liability Limit when the Scope includes any operations involving Blasting, any work underground level including but not limited to wires, conduit, pipes, mains, sewers, tanks, tunnels, or any excavation, drilling, or similar work.

- Builders Risk Coverage**
Required if the scope of work includes the ground up construction of a structure. Limit of insurance shall be 100% of the completed value of the structure. For projects for the renovation of an existing structure, The County shall insure the Builder's Risk with the Contractor being responsible for the first \$10,000 of any claim.

- Other as Specified Below**

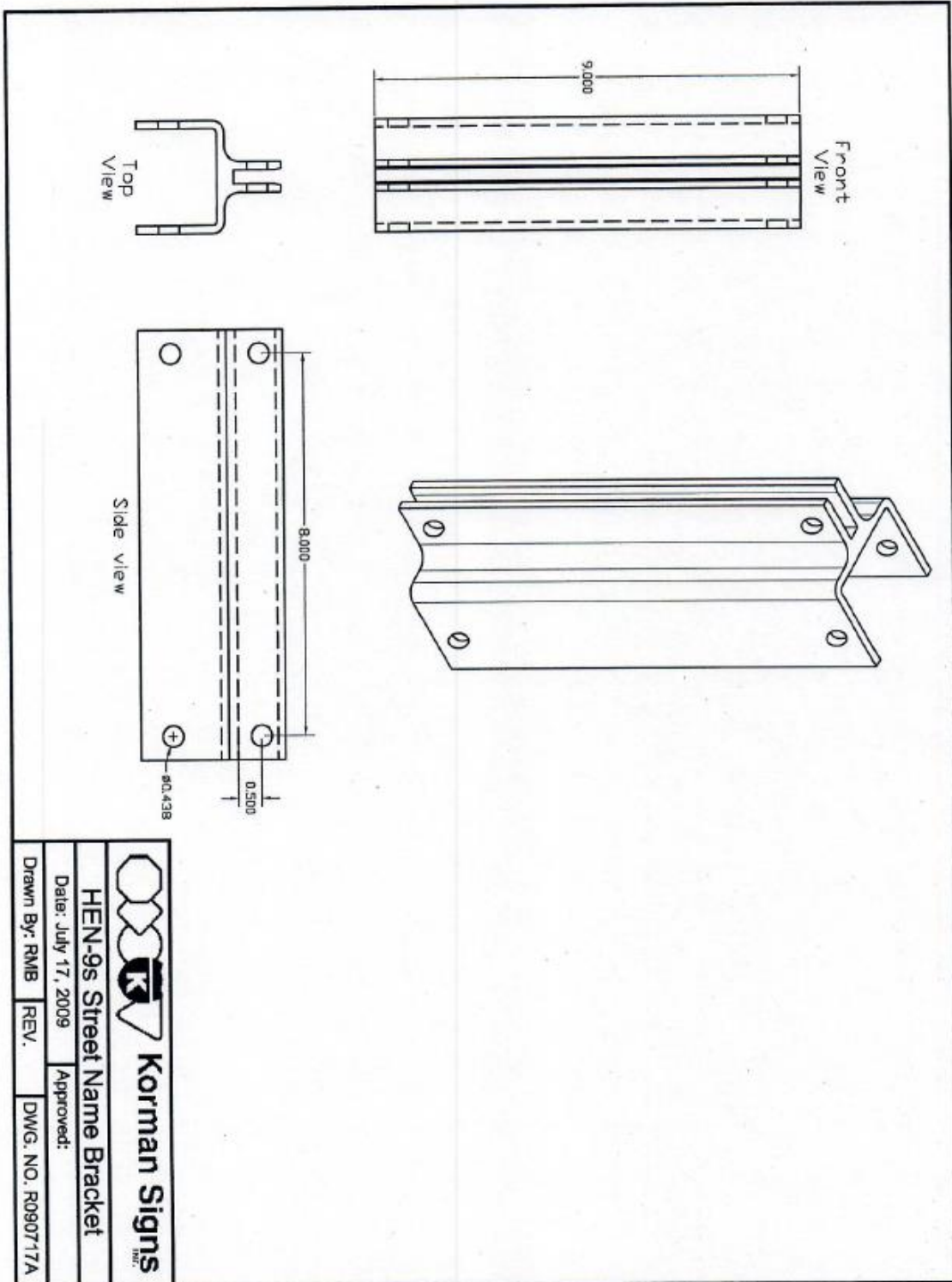
NOTE 1: The commercial general liability insurance shall include contractual liability. The contract documents include an indemnification provision(s). The County makes no representation or warranty as to how the Bidder's insurance coverage responds or does not respond. Insurance coverages that are unresponsive to the indemnification provision(s) do not limit the Bidder's responsibilities outlined in the contract documents.

NOTE 2: The intent of this insurance specification is to provide the coverage required and the limits expected for each type of coverage. With regard to the Business Automobile Liability and Commercial General Liability, the total amount of coverage can be accomplished through any combination of primary and excess/umbrella insurance. This insurance shall apply as primary insurance and non-contributory with respect to any other insurance or self-insurance programs afforded the County of Henrico and Henrico County Public Schools. This policy shall be endorsed to be primary with respect to the additional insured.

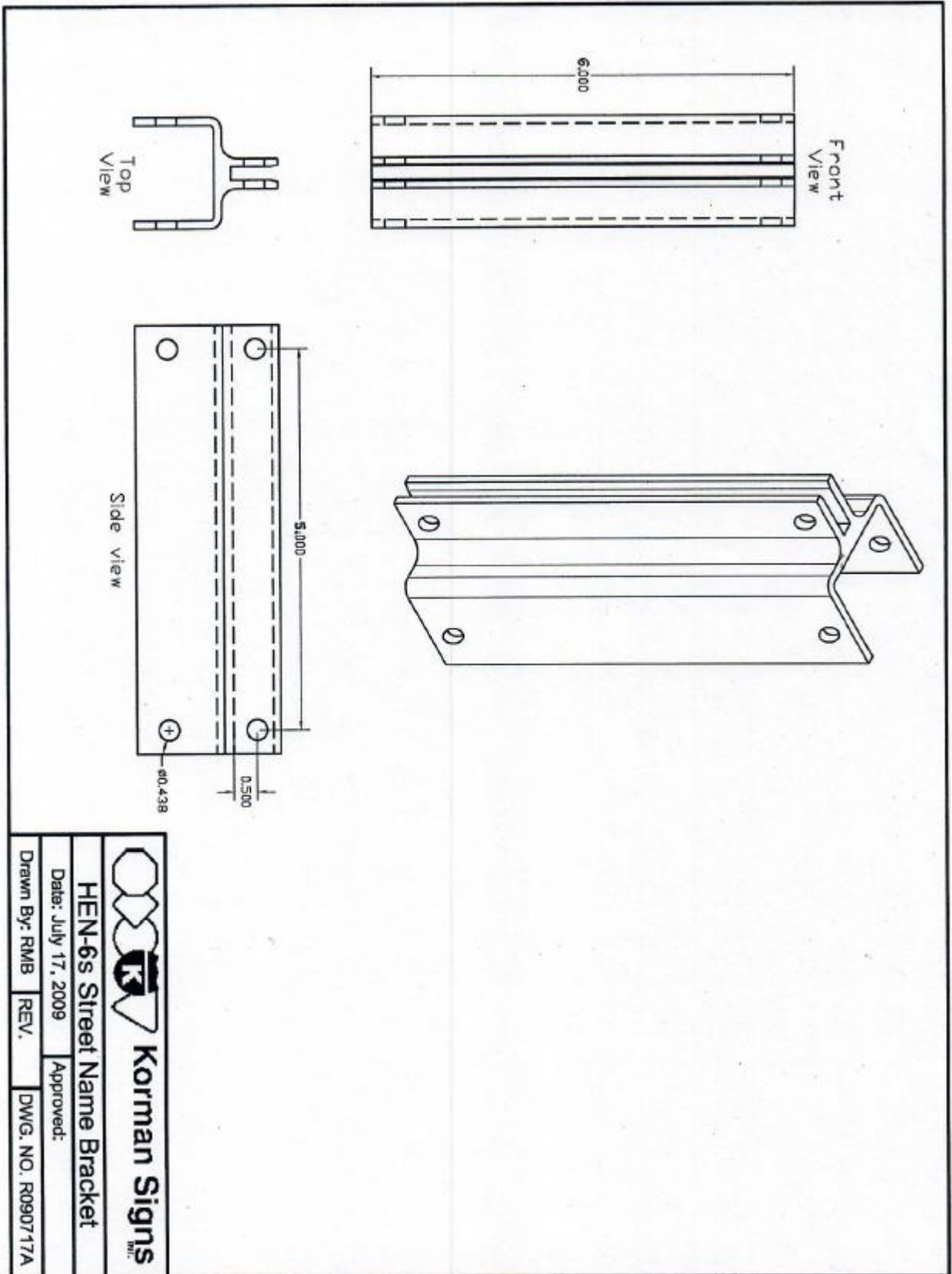
NOTE 3: Title 65.2 of the Code of Virginia requires every employer who regularly employs three or more full-time or part-time employees to purchase and maintain workers' compensation insurance. If you do not purchase a workers' compensation policy, a signed statement is required documenting that you are in compliance with Title 65.2 of the Code of Virginia.

NOTE 4: The Certificate Holder Box shall read as follows:
County of Henrico
Risk Management
PO Box 90775
Henrico, VA 23273

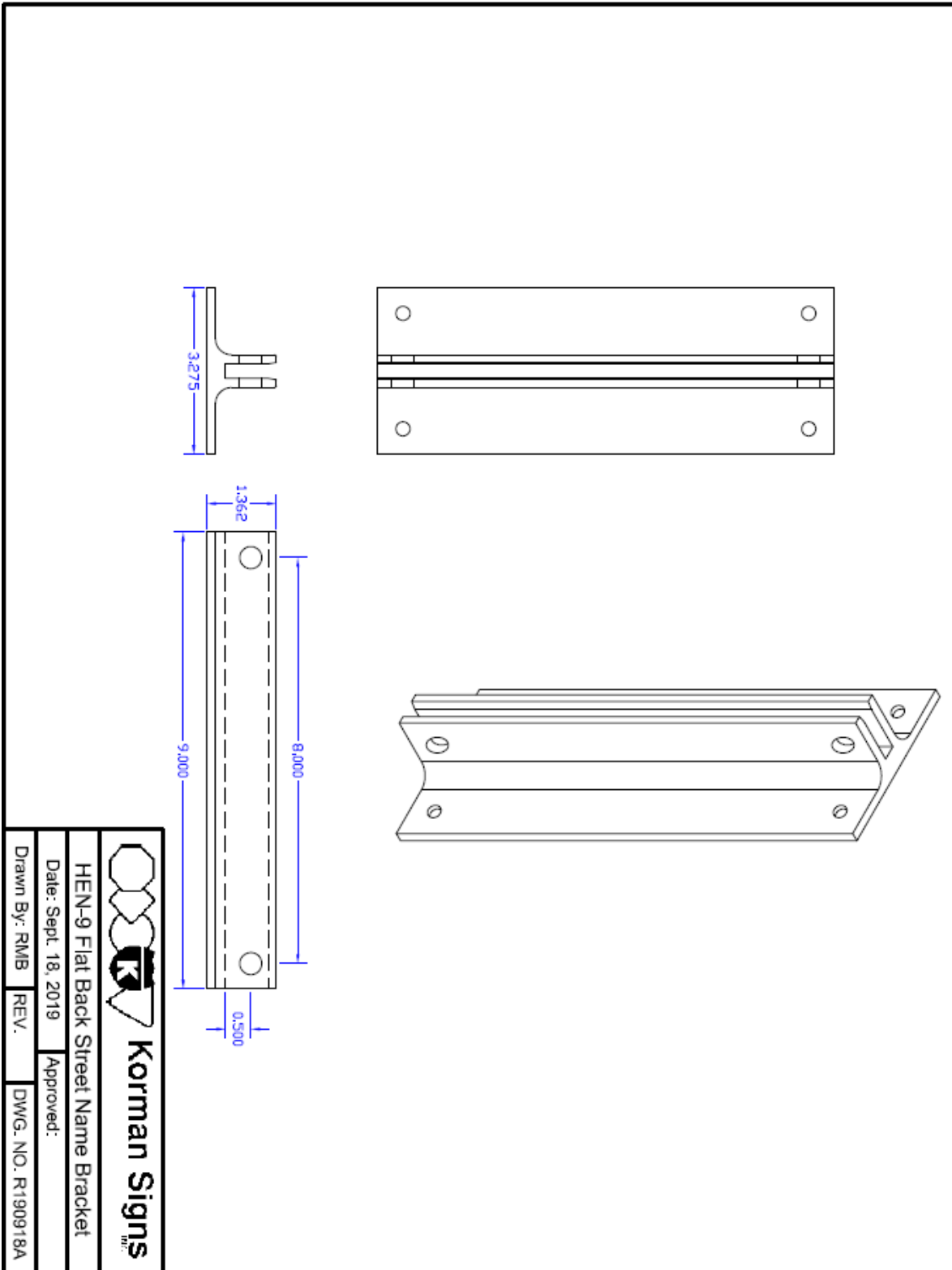
Attachment E



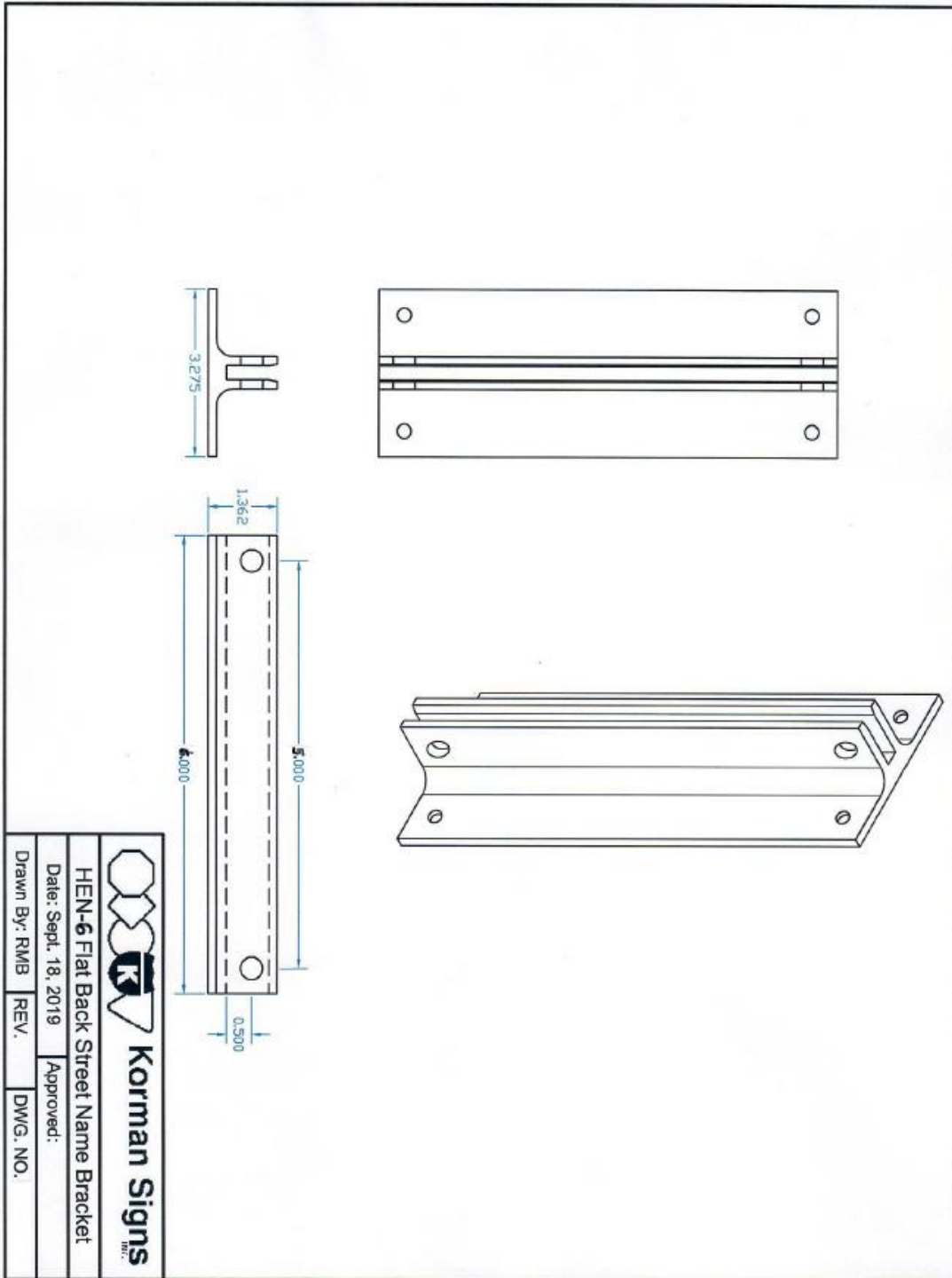
Attachment F



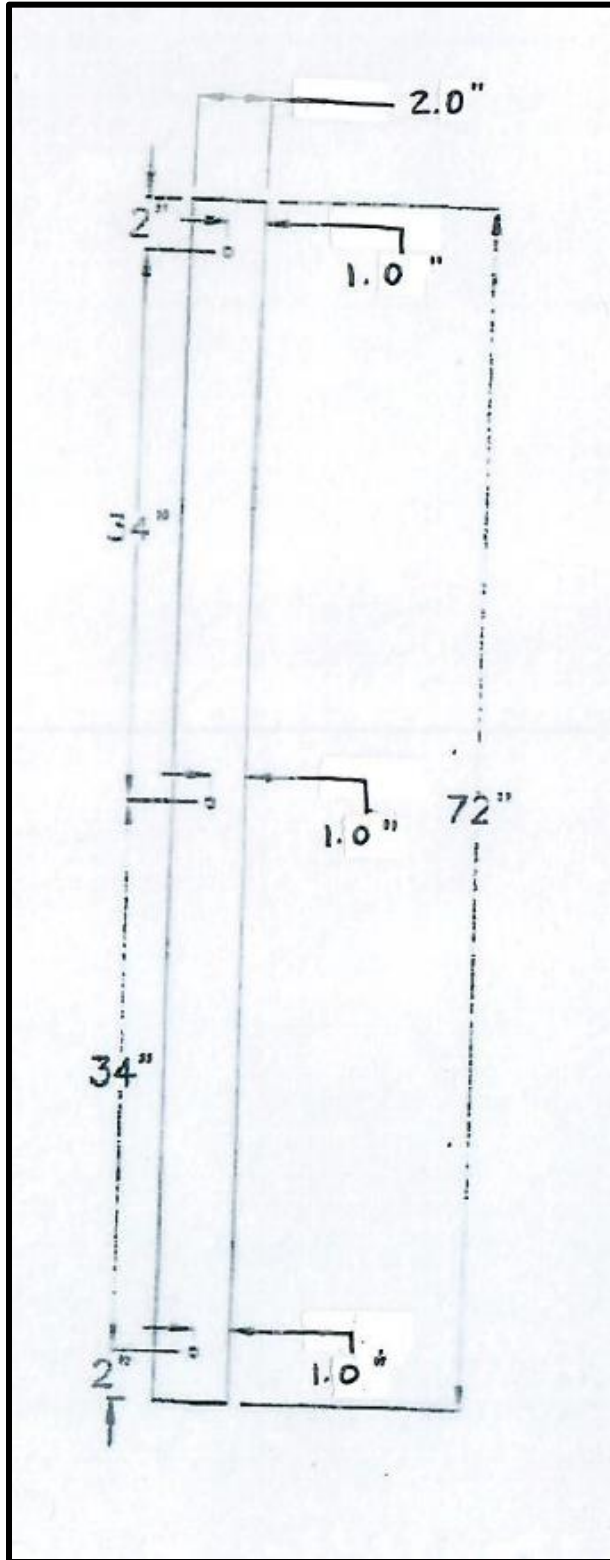
Attachment G



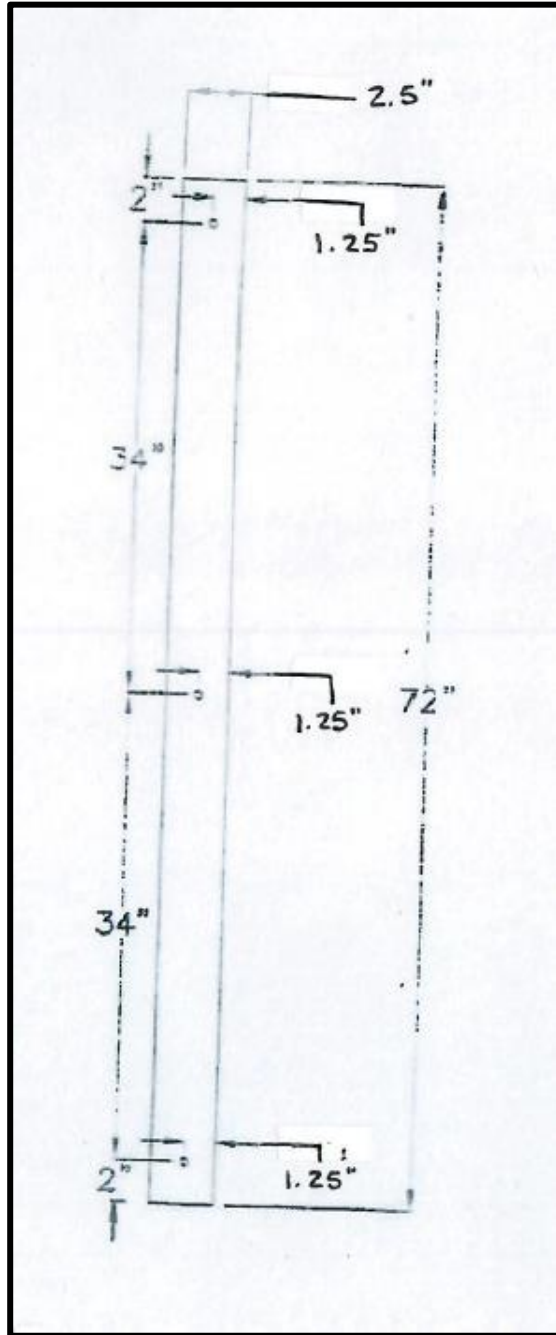
Attachment H



Attachment I



Attachment J



Attachment K

6 · SLIP AND BREAKAWAY SYSTEMS

**Kleen Break Model 425 Sign Post Coupler System
NCHRP 350 Compliant/FHWA Letter SS-131**

Complete Assemblies for 2" Square Post

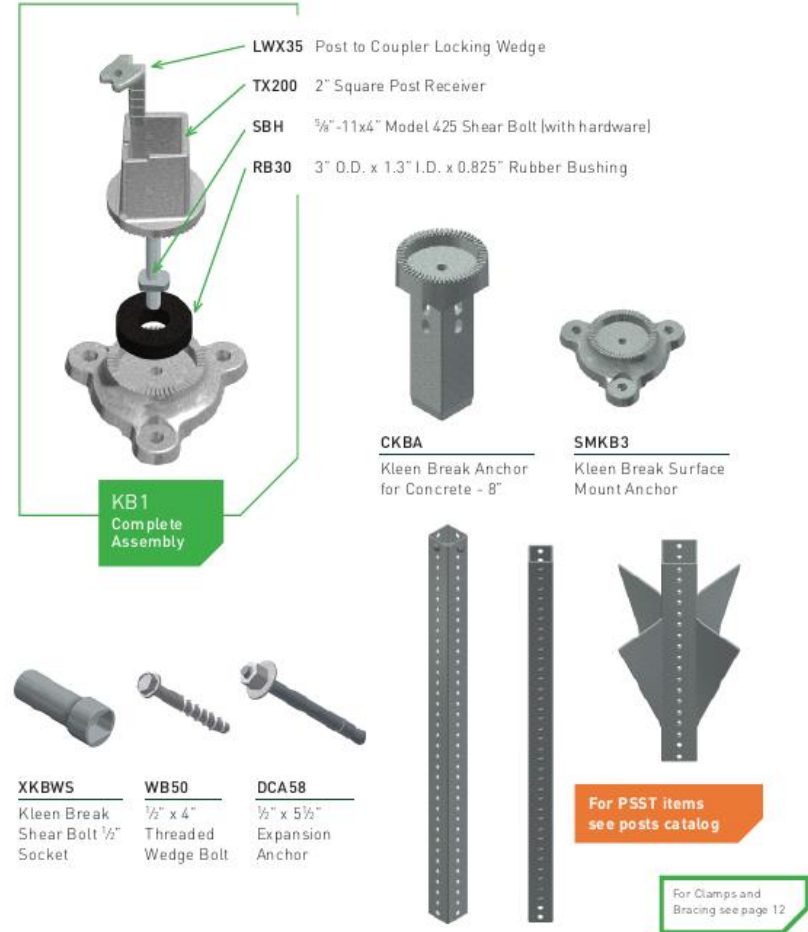
Xcessories Squared manufactures an NCHRP 350 crash-tested Kleen Break, which is a frangible device. The multi-directional breakaway Kleen Break is 360° indexable allowing exact orientation of the sign panel after the Kleen Break anchor is secured. It is capable of holding 100% of the strength capacity of the sign post. The most important aspect of any sign support product is the speed and ease of both installation as well as reinstallation. The material needed for reinstallation is also very important. The Kleen Break typically only requires a shear bolt set to be replaced, which is much less costly than replacing a frangible casting.



Centroid Height	90 MPH		120 MPH	
	2"x14ga. PSST	2"x12ga. PSST	2"x14ga. PSST	2"x12ga. PSST
16"	5.36 ft²	6.68 ft²	2.90 ft²	3.65 ft²
14"	6.12 ft²	7.64 ft²	3.32 ft²	4.17 ft²
12"	7.14 ft²	8.91 ft²	3.87 ft²	4.86 ft²
10"	8.57 ft²	10.7 ft²	4.64 ft²	5.83 ft²
8"	10.7 ft²	13.3 ft²	5.80 ft²	7.29 ft²

NOTE: Table is for a single post. Multiply values by 2 and 3 posts as necessary. Intersecting roads should only use a single post. Mainline roads can use multiple posts.

XCESSORIES SQUARED
DEVELOPMENT & MANUFACTURING INC.



eVA