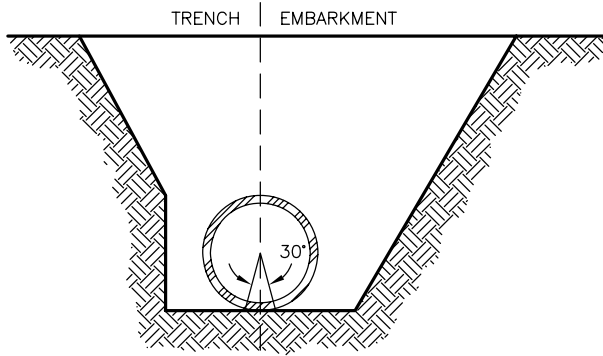
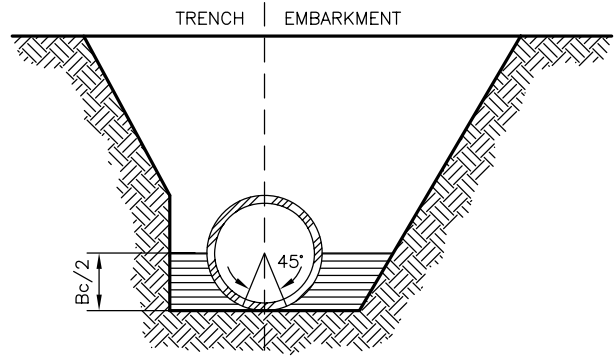


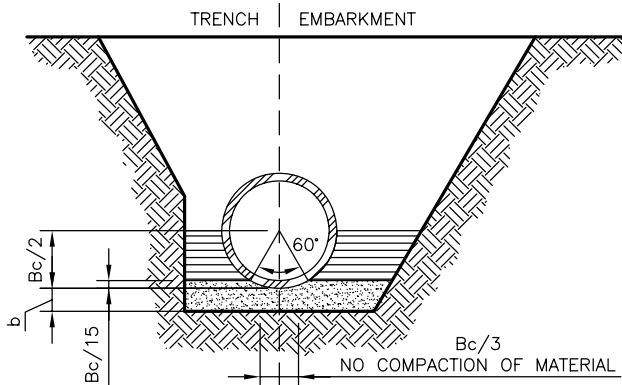
COUNTY OF HENRICO DEPARTMENT OF PUBLIC UTILITIES



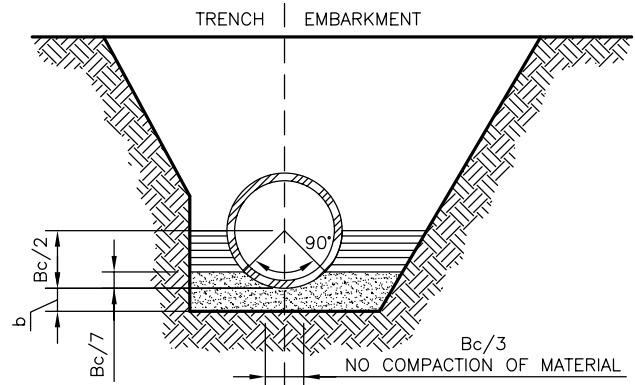
**TYPE R1 30°
BEDDING ANGLE**



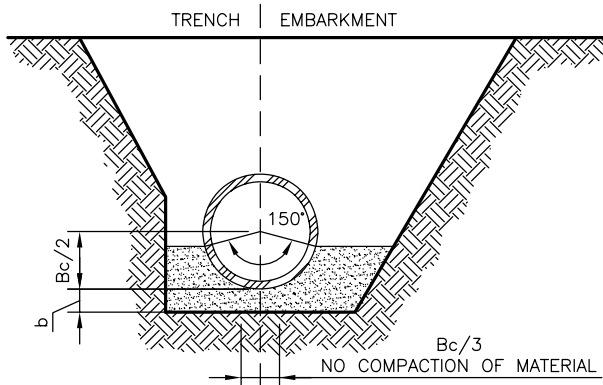
**TYPE R2 45°
BEDDING ANGLE**



**TYPE R1 60°
BEDDING ANGLE**

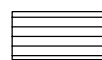


**TYPE R1 90°
BEDDING ANGLE**

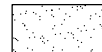


**TYPE R1 150°
BEDDING ANGLE**

LEGEND



BEDDING MATERIAL, FREE FROM LARGE CLOUDS OR ROCKS, WELL COMPACTED AFTER PIPE IS LAID, OR GRANULAR MATERIAL CONSOLIDATED AFTER PIPE IS LAID.



COMPACTED BACKFILL MATERIAL, FREE FROM LARGE CLOUDS OR ROCKS.

DEPTH OF BEDDING MATERIAL BELOW PIPE	
PIPE ID	b (MINIMUM)
27" AND SMALLER	3"
30" TO 60"	4"
66" AND LARGER	6"

B_c = OUTSIDE DIAMETER OF PIPE

NOTES:

1. EMBARKMENT CONDITION INDICATES THE TRENCH WIDTH AT THE TOP OF THE PIPE EXCEEDS TRANSITION WIDTH.
2. FOR BEDDING TYPES R1 AND R2, THE TRENCH BOTTOM SHALL BE OVEREXCAVATED AND BEDDING MATERIAL SHALL EXTEND TO DEPTH "b" BELOW THE BOTTOM OF THE PIPE IF SUBGRADE IS ROCK OR OTHER UNYIELDING MATERIAL.

REVISIONS
06/20/2014

CONCRETE PIPE TRENCH BEDDING

DRWG. NO.
D-720