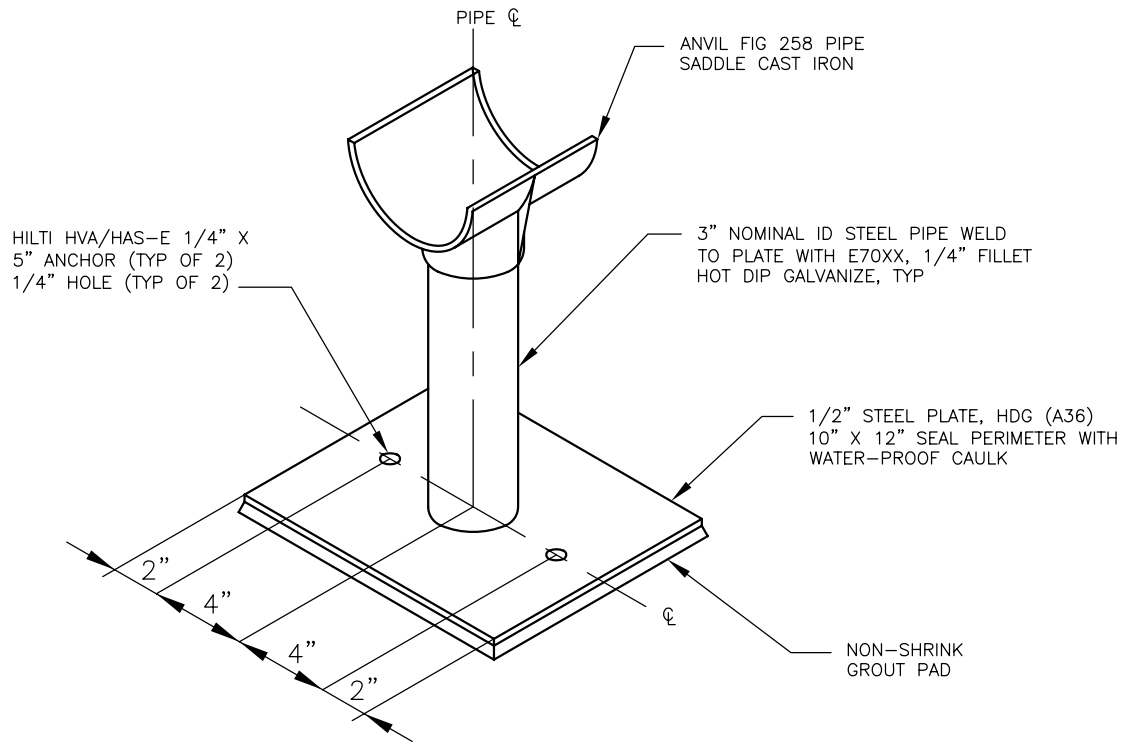


COUNTY OF HENRICO
DEPARTMENT OF PUBLIC UTILITIES



MATERIALS LIST

PIPE SUPPORT DETAIL

QTY.	ITEM
1	4", 6", OR 8" METER
1	2", 4", OR 6" METER
2	4", 6", OR 8" FLANGED GATE VALVES
2	2", 4", OR 6" FLANGED GATE VALVES
1	4", 6", OR 8" COUPLING
1	2", 4", OR 6" COUPLING
2	4", 6", OR 8" MEGALUG RESTRAINTS
2	2", 4", OR 6" MEGALUG RESTRAINTS
2	4", 6", OR 8" FLANGED BY PLAIN NIPPLES
2	4", 6", OR 8" GASKETS
4	4", 6", OR 8" 45° MJR BENDS
2	TEES
1	PRECAST CONCRETE VAULT
1	ACCESS DOOR
2	PIPE SUPPORTS
10"	1.0' DIA RCP

REVISIONS
06/20/2014

DETAILS AND MATERIALS
FOR D-560 SETTING

DRWG. NO.
D-560-2