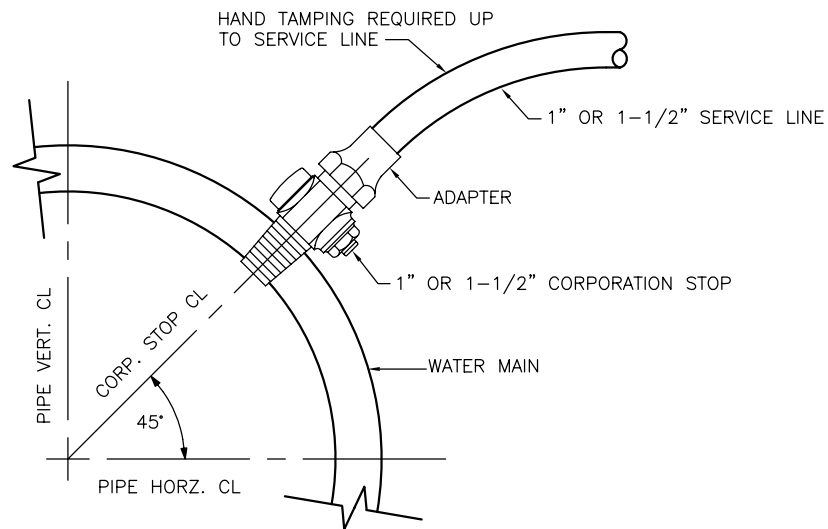


# COUNTY OF HENRICO DEPARTMENT OF PUBLIC UTILITIES

## NOTES:

1. SEE "TYPICAL RESIDENTIAL WATER METER LOCATIONS" D-510 FOR HORIZONTAL PLACEMENT OF METER BOXES AND EASEMENT DETAILS.
2. METER BOXES INSTALLED OUTSIDE THE RIGHT-OF-WAY SHALL BE INSTALLED INSIDE A PERMANENT DPU UTILITY EASEMENT.
3. THE SERVICE LINE BETWEEN THE MAIN AND THE METER WILL BE ONE CONTINUOUS PIECE OF PIPE. (NO JOINTS WILL BE PERMITTED.)
4. METER BOXES SHALL NOT BE INSTALLED IN ROAD DITCHES.
5. METER BOXES SHALL NOT BE INSTALLED IN ROAD SHOULDERS.
6. METER BOXES SHALL NOT BE INSTALLED IN DRIVEWAYS, ROADS, OR ENTRANCES UNLESS TRAFFIC RATED METER BOX, TOP, AND LID ARE USED. THE METER BOX, TOP, AND LID MUST BE APPROVED BY DPU PRIOR TO INSTALLATION.
7. MINIMUM DEPTH OF COVER OVER WATER SERVICE SHALL BE 36" EXCEPT AS SHOWN AT METER BOX ENTRANCE IN DWG D-525.
8. WATER SERVICE WILL CROSS OVER STORM SEWER PIPES WITH A MINIMUM OF 6" CLEARANCE BETWEEN PIPES.



STANDARD SERVICE CONNECTION

REVISIONS  
06/20/2014

WATER SERVICE INSTALLATION DETAILS  
FOR 5/8" AND 1" METERS

DRWG. NO.  
D-520-3