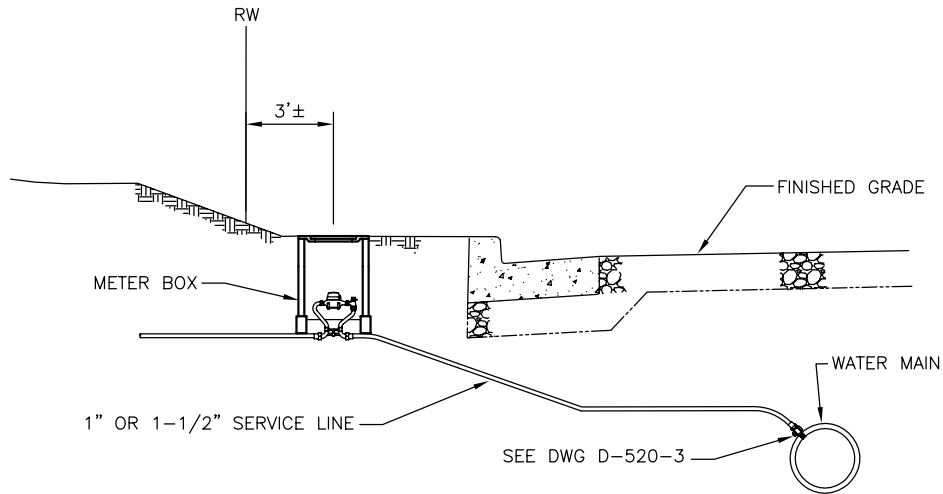
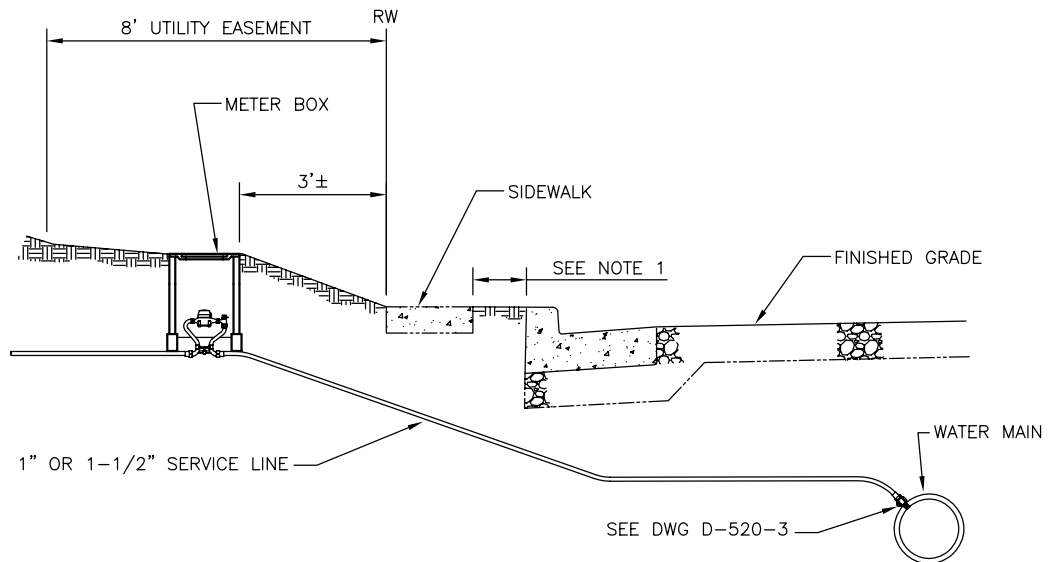


COUNTY OF HENRICO
DEPARTMENT OF PUBLIC UTILITIES



TYPICAL DPW ROAD SECTION WITH CURB AND GUTTER AND WITHOUT SIDEWALK



TYPICAL DPW ROAD SECTION WITH CURB AND GUTTER AND WITH SIDEWALK

NOTES:

1. WATER METER MAY BE INSTALLED BETWEEN CURB AND SIDEWALK IF THE DISTANCE IS 3' OR MORE.
2. ALL METER BOXES SHALL BE WITHIN THE RIGHT-OF-WAY OR EASEMENT.
3. SERVICE SIZES SHALL BE ONE SIZE LARGER THAN THE METER.
4. SEE NOTES ON DWG D-520-3.

REVISIONS
06/20/2014

WATER SERVICE INSTALLATION DETAILS
FOR 5/8" AND 1" METERS

DRWG. NO.
D-520-1