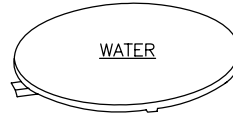


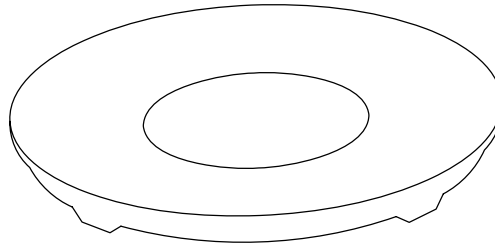
COUNTY OF HENRICO
DEPARTMENT OF PUBLIC UTILITIES

CAST IRON COVER

LID TO BE PROVIDED WITHOUT
HOLE OR LOCKING DEVICE

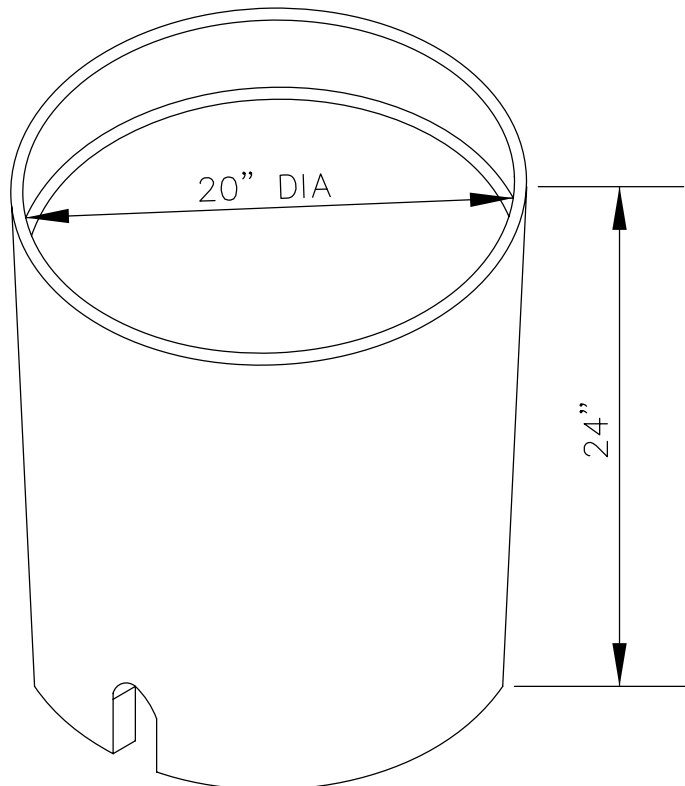


CAST IRON FRAME



20" METER BOX

MOLDED FROM HIGH
DENSITY POLYETHYLENE



2 MOUSEHOLES
3" WIDE x 4" TALL

REVISIONS
06/20/2014

PLASTIC METER BOX
FOR 5/8" METERS AND FLUSHING HYDRANTS

DRWG. NO.
D-515