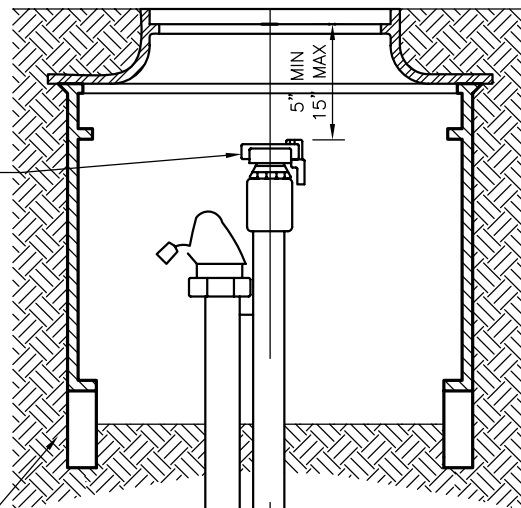
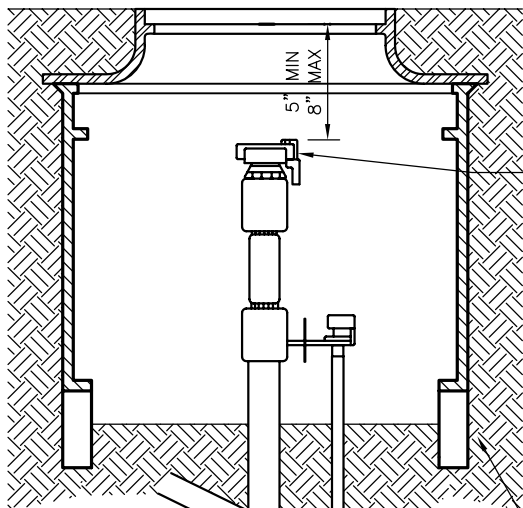


**COUNTY OF HENRICO
DEPARTMENT OF PUBLIC UTILITIES**

**2" AQUARIUS
"ONE-O-ONE" HH**

**MAINGUARD
MODEL # 78**

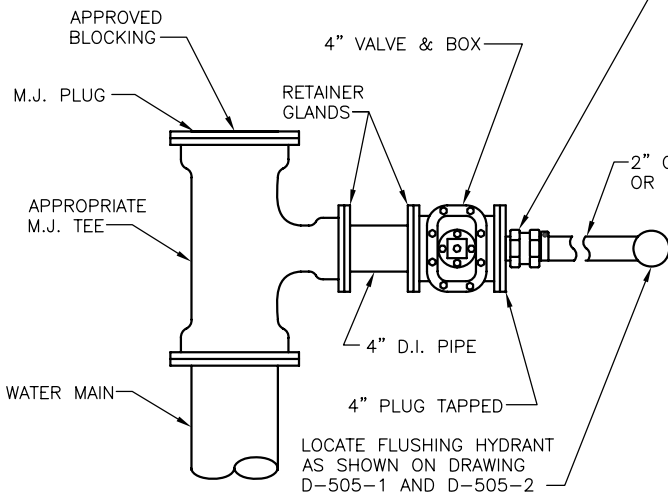


NOTE:

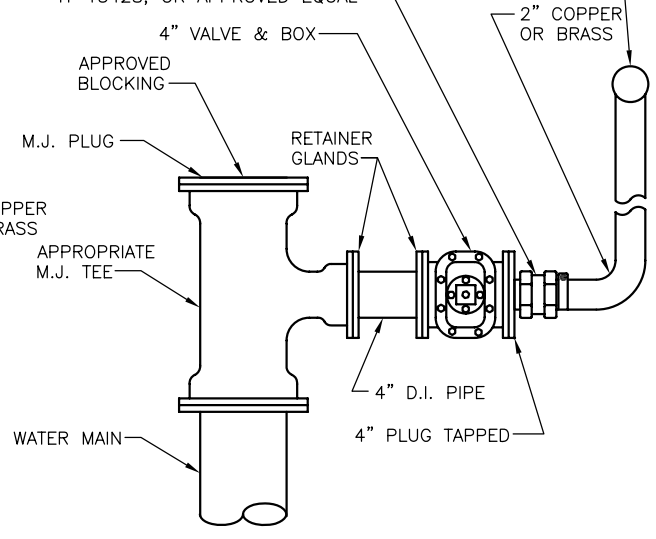
1. OUTLET THREADS SHALL BE CITY OF RICHMOND SPECIAL THREADS.

LOCATE FLUSHING HYDRANT AS SHOWN ON DRAWING D-505-1 AND D-505-2

FITTING TO BE FORD C-84-77, MEULLER H-15428, OR APPROVED EQUAL



**THROUGH STREET
PLAN**



**CUL-DE-SAC
PLAN**

REVISIONS
06/20/2014

FLUSHING HYDRANT

DRWG. NO.
D-500