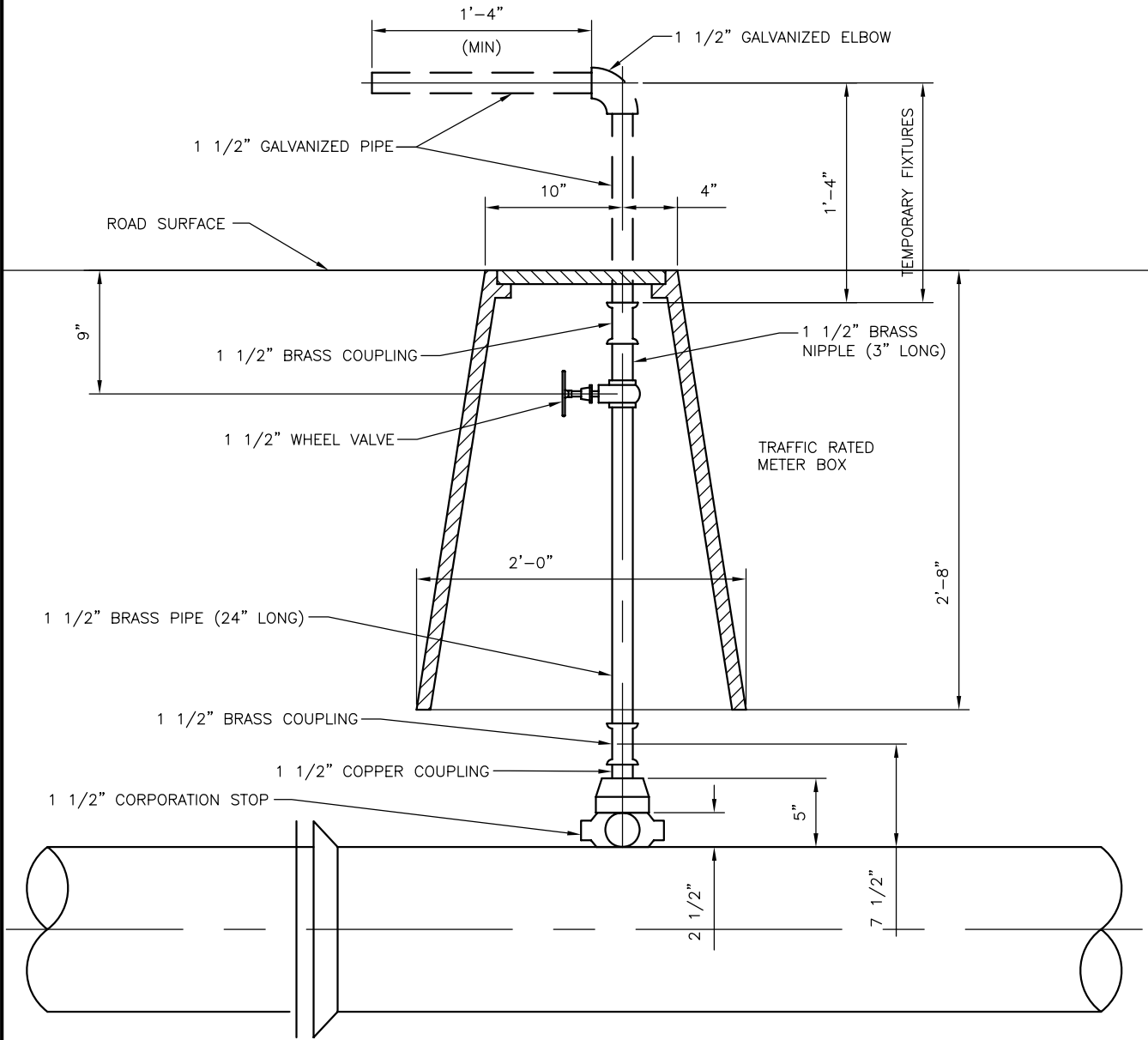


COUNTY OF HENRICO  
DEPARTMENT OF PUBLIC UTILITIES



(FOR 8" WATER MAINS AND LARGER)

REVISIONS  
06/20/2014

AIR RELEASE DETAIL 1 1/2"

DRWG. NO.  
D-490