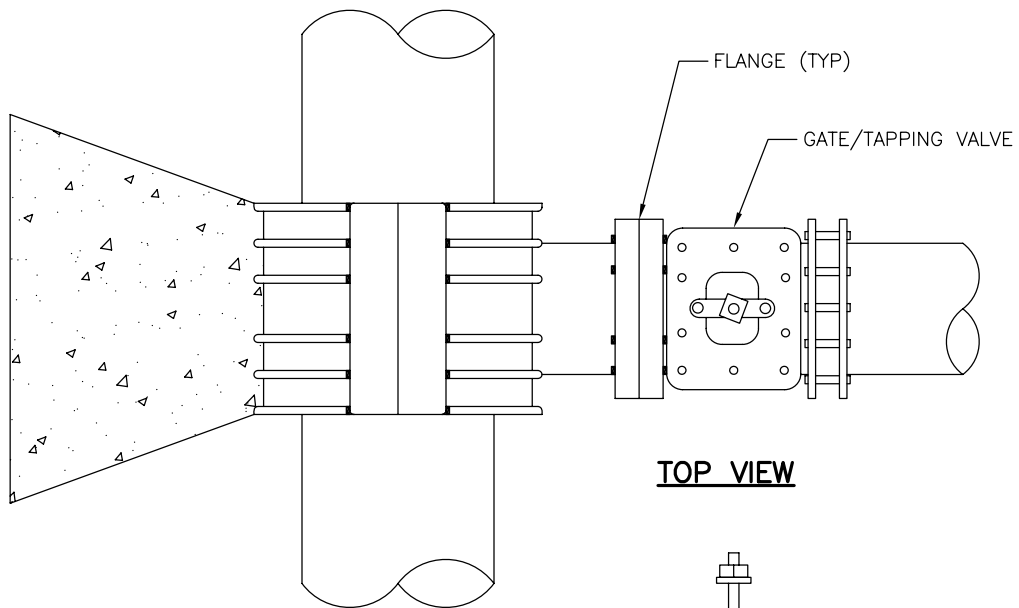
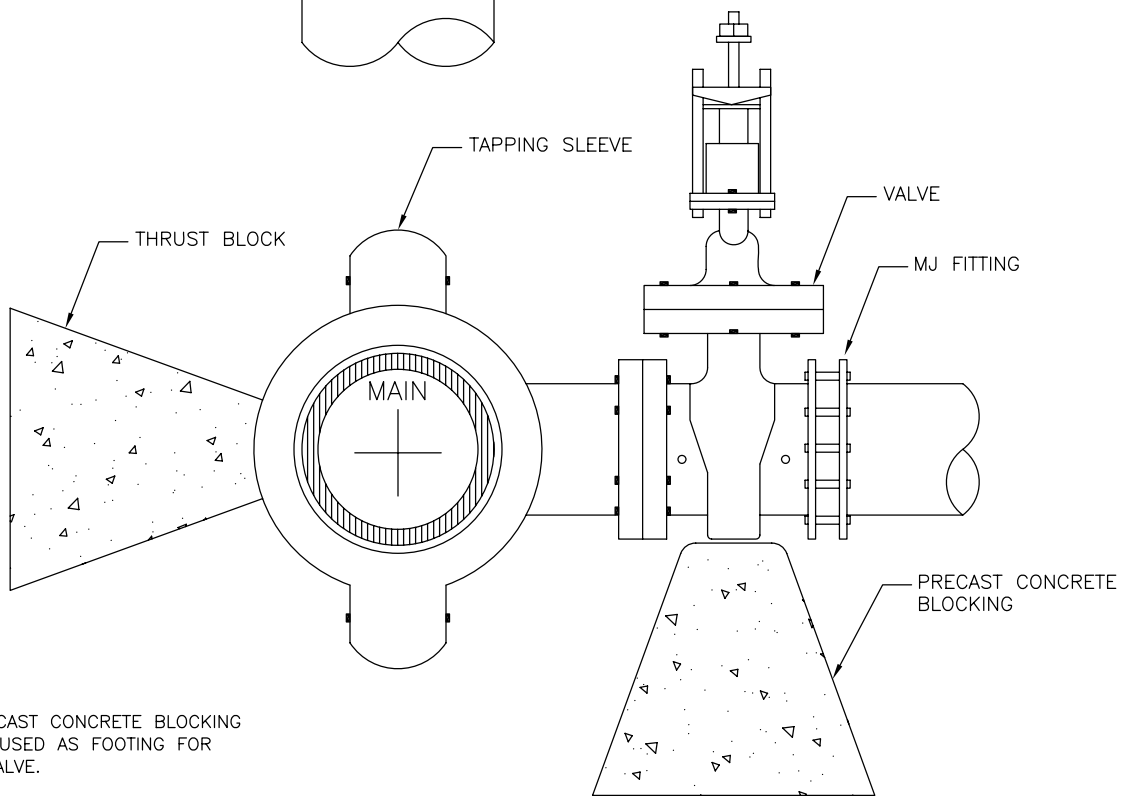


COUNTY OF HENRICO
DEPARTMENT OF PUBLIC UTILITIES



TOP VIEW



SIDE VIEW

NOTES:

1. SOLID PRECAST CONCRETE BLOCKING SHALL BE USED AS FOOTING FOR TAPPING VALVE.
2. CONCRETE SHALL NOT CONTACT BOLTS OR ENDS OF MECHANICAL JOINT FITTINGS.
3. SEE STANDARD REACTION BLOCK TABLES D-700 FOR AREA OF CONCRETE THRUST BLOCK REQUIRED.

REVISIONS
06/20/2014

TAPPING SLEEVE
AND VALVE ASSEMBLY

DRWG. NO.
D-470