

COUNTY OF HENRICO
DEPARTMENT OF PUBLIC UTILITIES

T-LOCK EMBEDDED IN PIPE DR
STRUCTURE WALL

SPECIAL FORMED BOOT 3/32" AMER
PLATE PLAIN SHEET

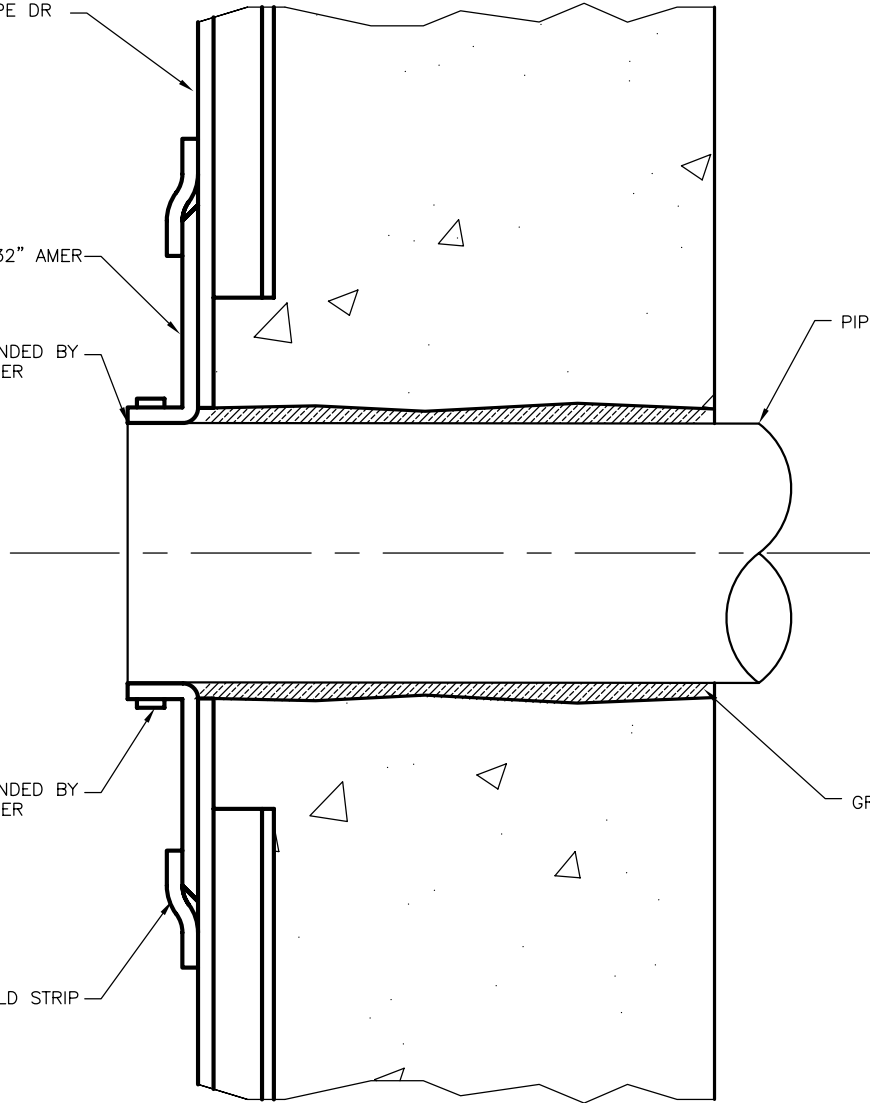
SEALANT RECOMMENDED BY
LINER MANUFACTURER

PIPE PENETRATION

SEALANT RECOMMENDED BY
LINER MANUFACTURER

GROUT AS REQ'D

1" WELD STRIP



REVISIONS
06/20/2014

SPECIAL ACID-RESISTANT LINING
ALL MANHOLES

DRWG. NO.
D-210-5