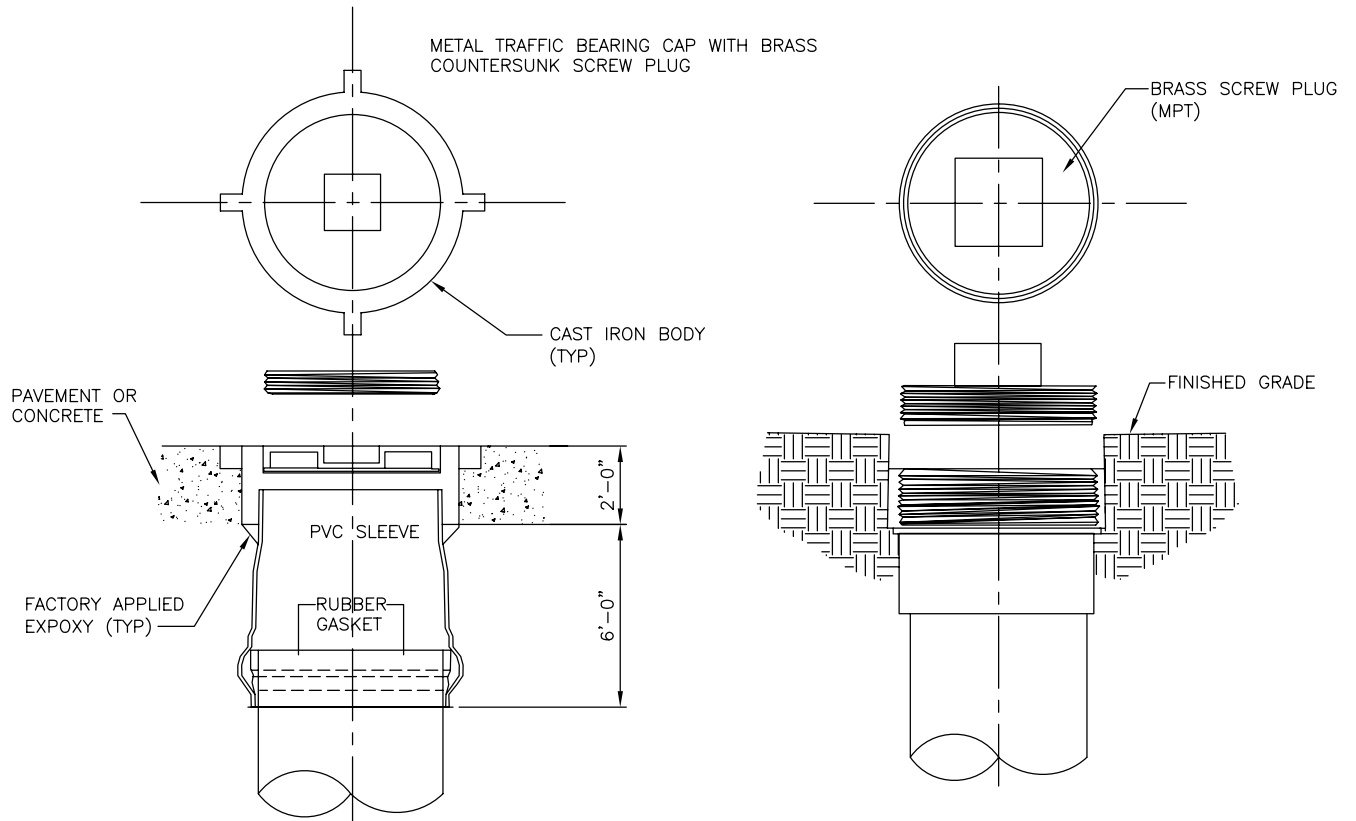
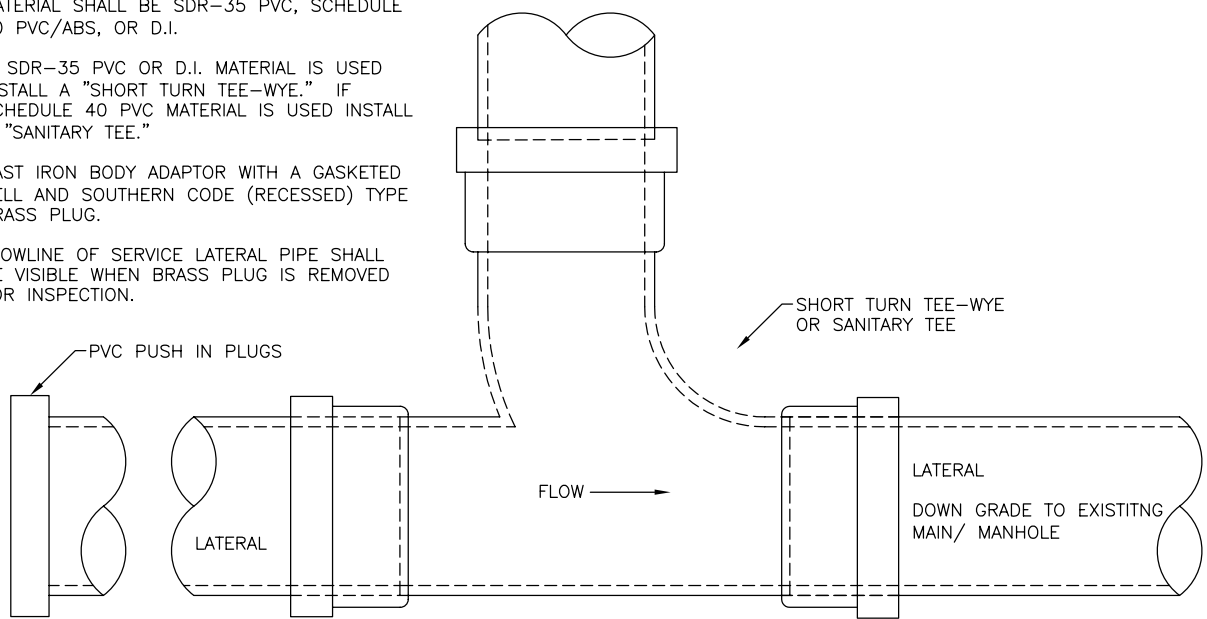


# COUNTY OF HENRICO DEPARTMENT OF PUBLIC UTILITIES



## SITE INSPECTION PORT (S.I.P.) NOTES:

1. MATERIAL SHALL BE SDR-35 PVC, SCHEDULE 40 PVC/ABS, OR D.I.
2. IF SDR-35 PVC OR D.I. MATERIAL IS USED INSTALL A "SHORT TURN TEE-WYE." IF SCHEDULE 40 PVC MATERIAL IS USED INSTALL A "SANITARY TEE."
3. CAST IRON BODY ADAPTOR WITH A GASKETED BELL AND SOUTHERN CODE (RECESSED) TYPE BRASS PLUG.
4. FLOWLINE OF SERVICE LATERAL PIPE SHALL BE VISIBLE WHEN BRASS PLUG IS REMOVED FOR INSPECTION.



#57 STONE BEDDING REQUIRED TO TOP OF PIPE (PVC)

REVISIONS  
06/20/2014

SITE INSPECTION PORT DETAILS

DRWG. NO.  
D-185