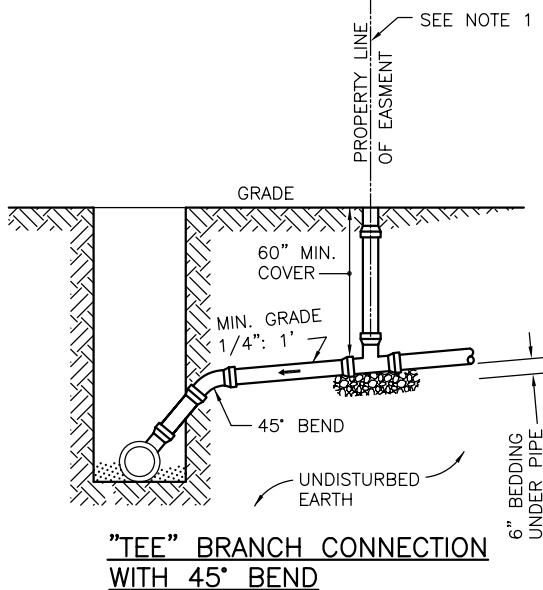
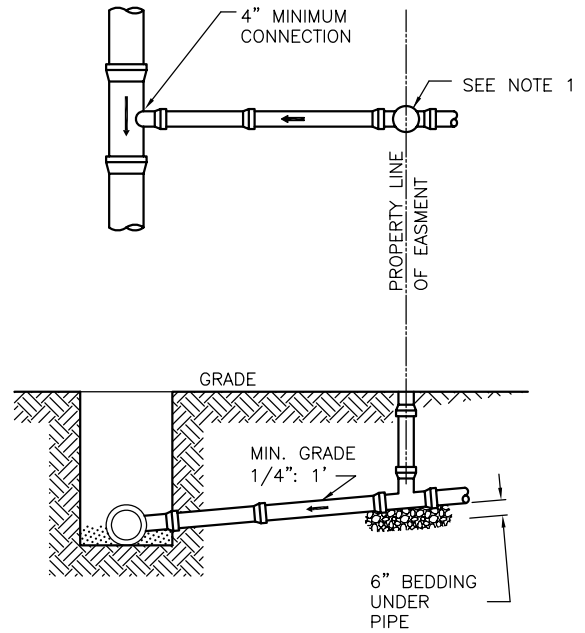
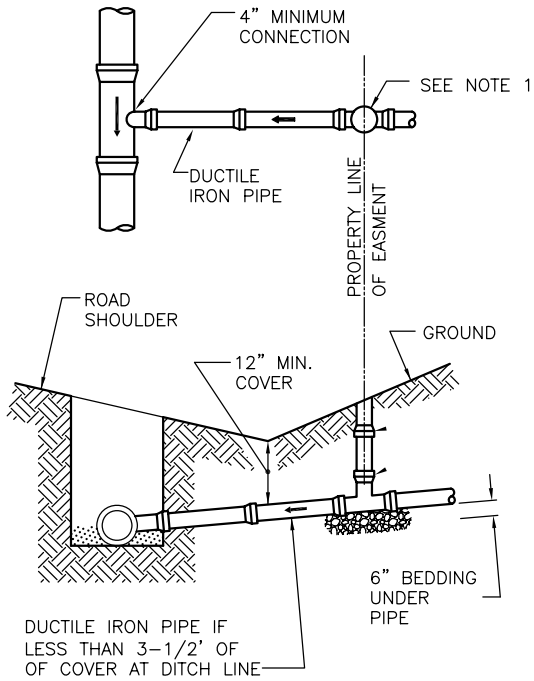


COUNTY OF HENRICO DEPARTMENT OF PUBLIC UTILITIES



SITE INSPECTION PORT (S.I.P.) NOTES:

1. S.I.P. SHALL BE INSTALLED \pm 3' OF PROPERTY LINE ON ALL HOUSE CONNECTIONS.
2. OWNER MAY HAVE UTILITY CONTRACTOR INSTALL S.I.P.'S. THEY MUST BE INSTALLED PRIOR TO TENTATIVE ACCEPTANCE BY THE COUNTY.
3. OWNER MAY HAVE PLUMBING CONTRACTOR INSTALL S.I.P.'S. THEY MUST BE INSPECTED BY THE COUNTY PRIOR TO ISSUANCE OF A CERTIFICATE OF OCCUPANCY.

REVISIONS
06/20/2014

HOUSE CONNECTION DETAILS

DRWG. NO.
D-180