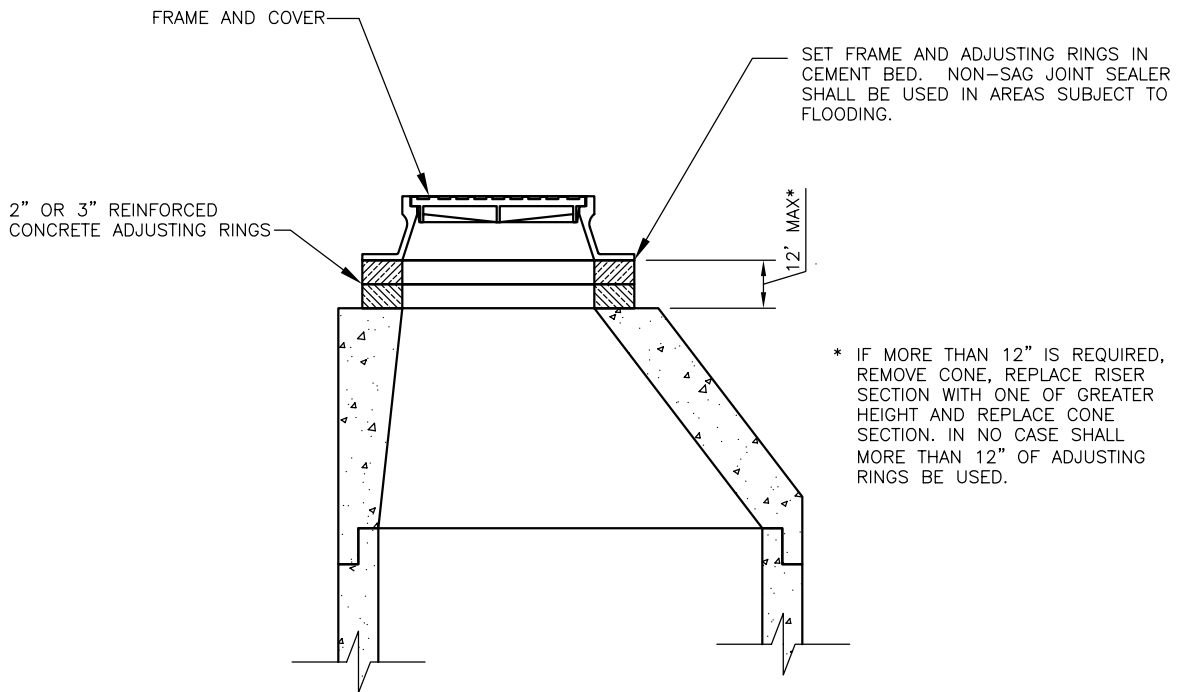


COUNTY OF HENRICO  
DEPARTMENT OF PUBLIC UTILITIES



ADJUST EXISTING MANHOLE  
FRAME & COVER

<p>REVISIONS 06/20/2014</p>	<p>ADJUST EXISTING MANHOLE FRAME AND COVER</p>	<p>DRWG. NO. D-165</p>
---------------------------------	--	----------------------------