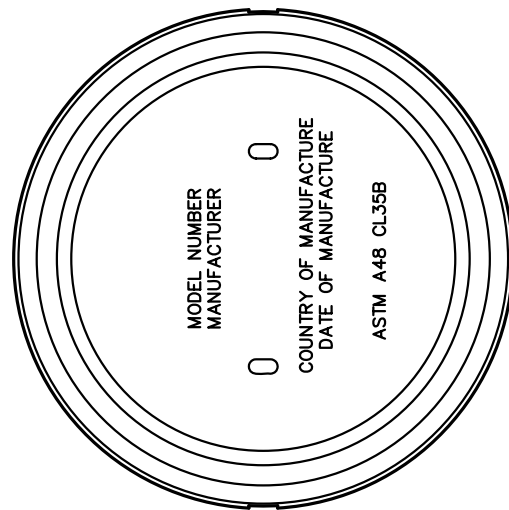
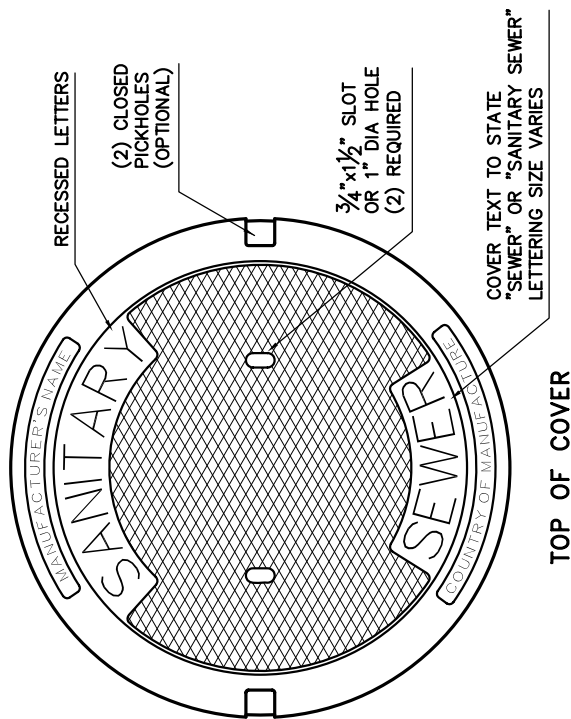
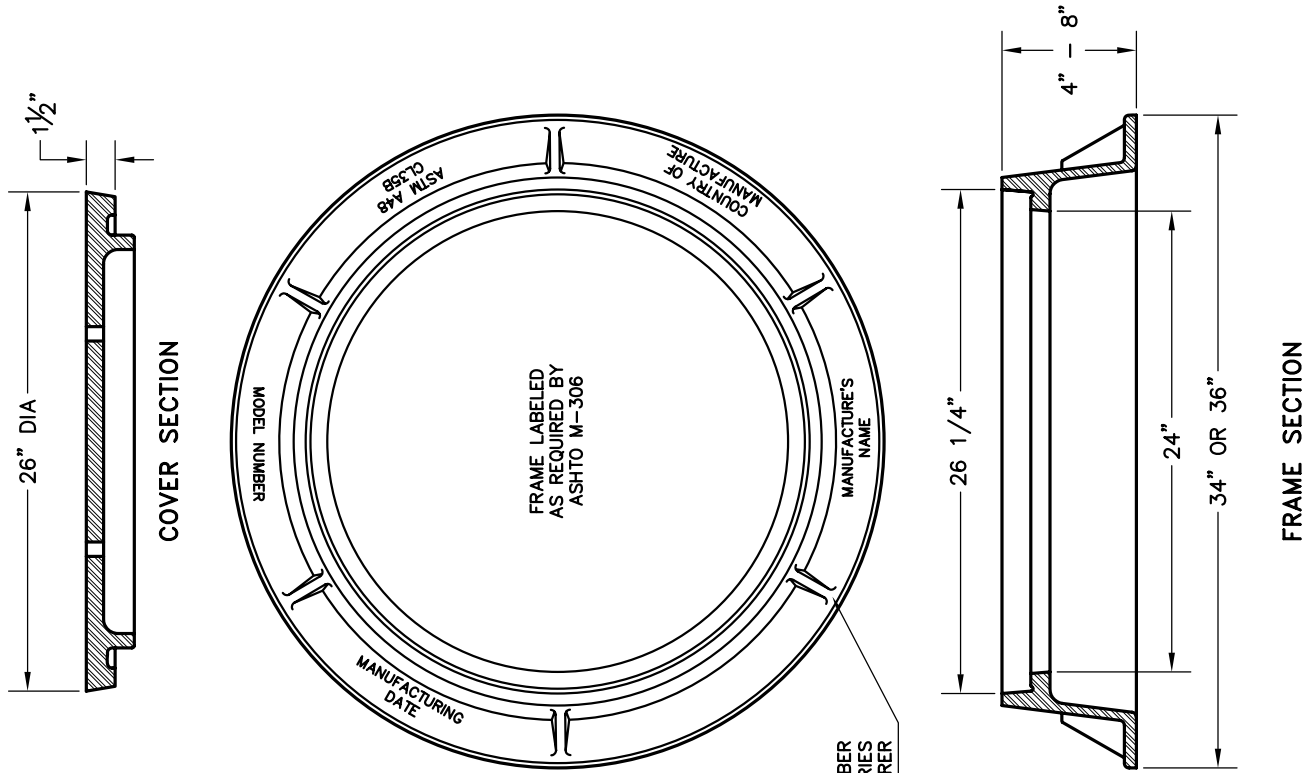


COUNTY OF HENRICO  
DEPARTMENT OF PUBLIC UTILITIES



GUSSET (TYPICAL) NUMBER AND ARRANGEMENT VARIES BY MANUFACTURER

REVISIONS  
06/20/2014

STANDARD MANHOLE FRAME & COVER

DRWG. NO.  
D-150