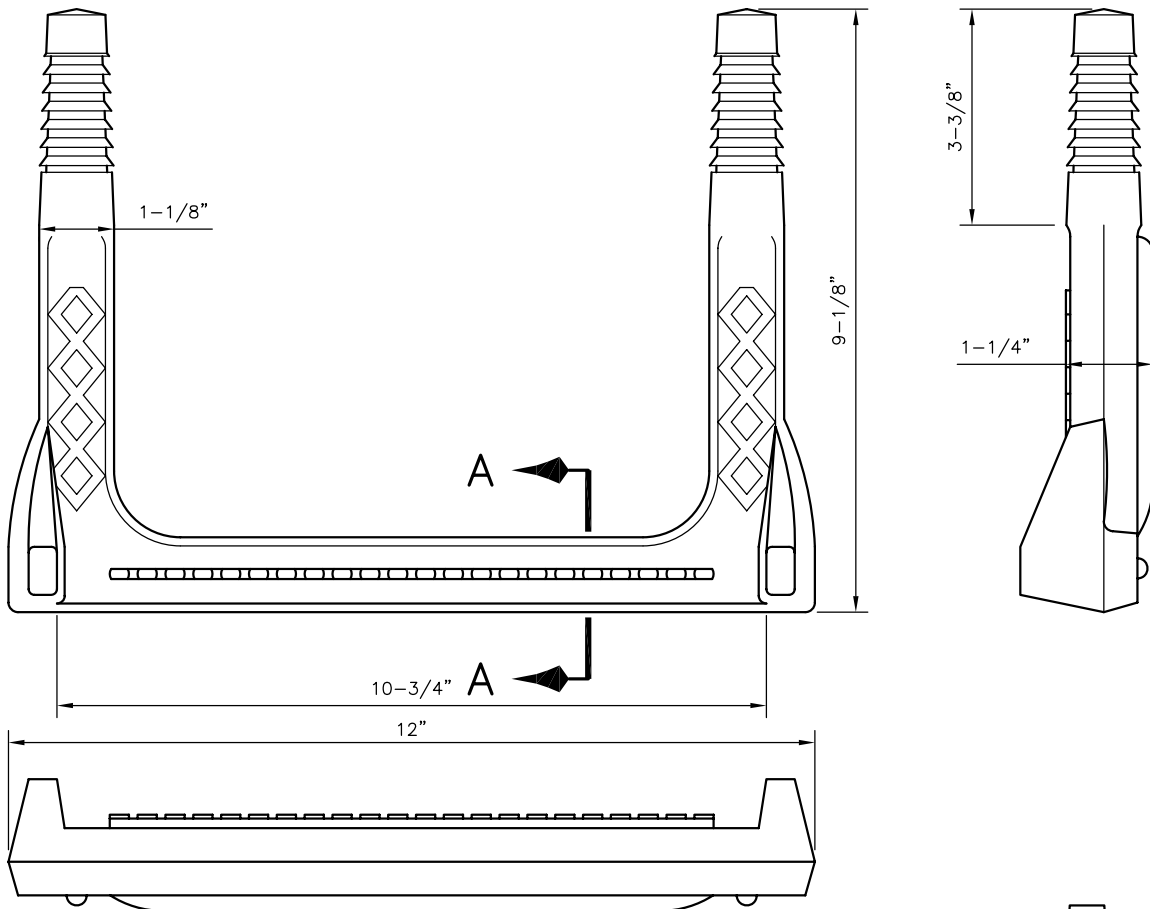
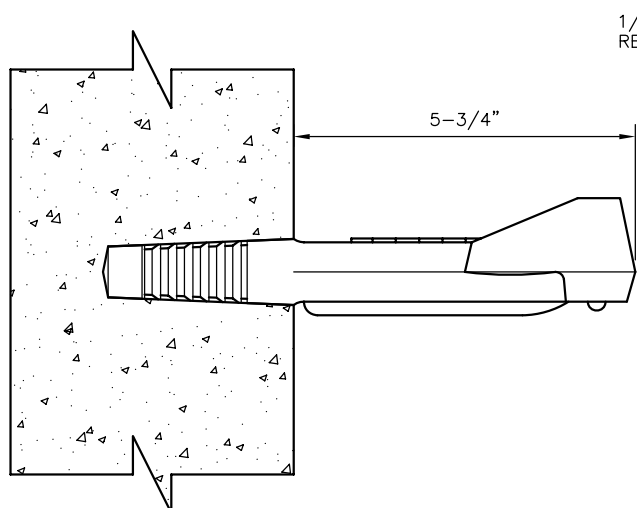


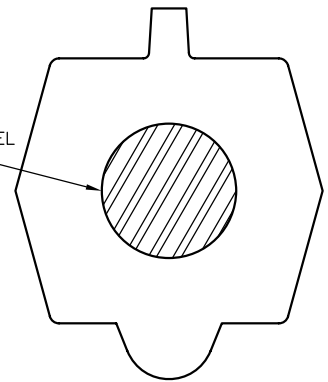
COUNTY OF HENRICO
DEPARTMENT OF PUBLIC UTILITIES



COPOLYMER POLYPROPYLENE PLASTIC



1/2" GRADE 60 STEEL REINFORCEMENT



SECTION A

REVISIONS
06/20/2014

STANDARD MANHOLE STEP

DRWG. NO.
D-145