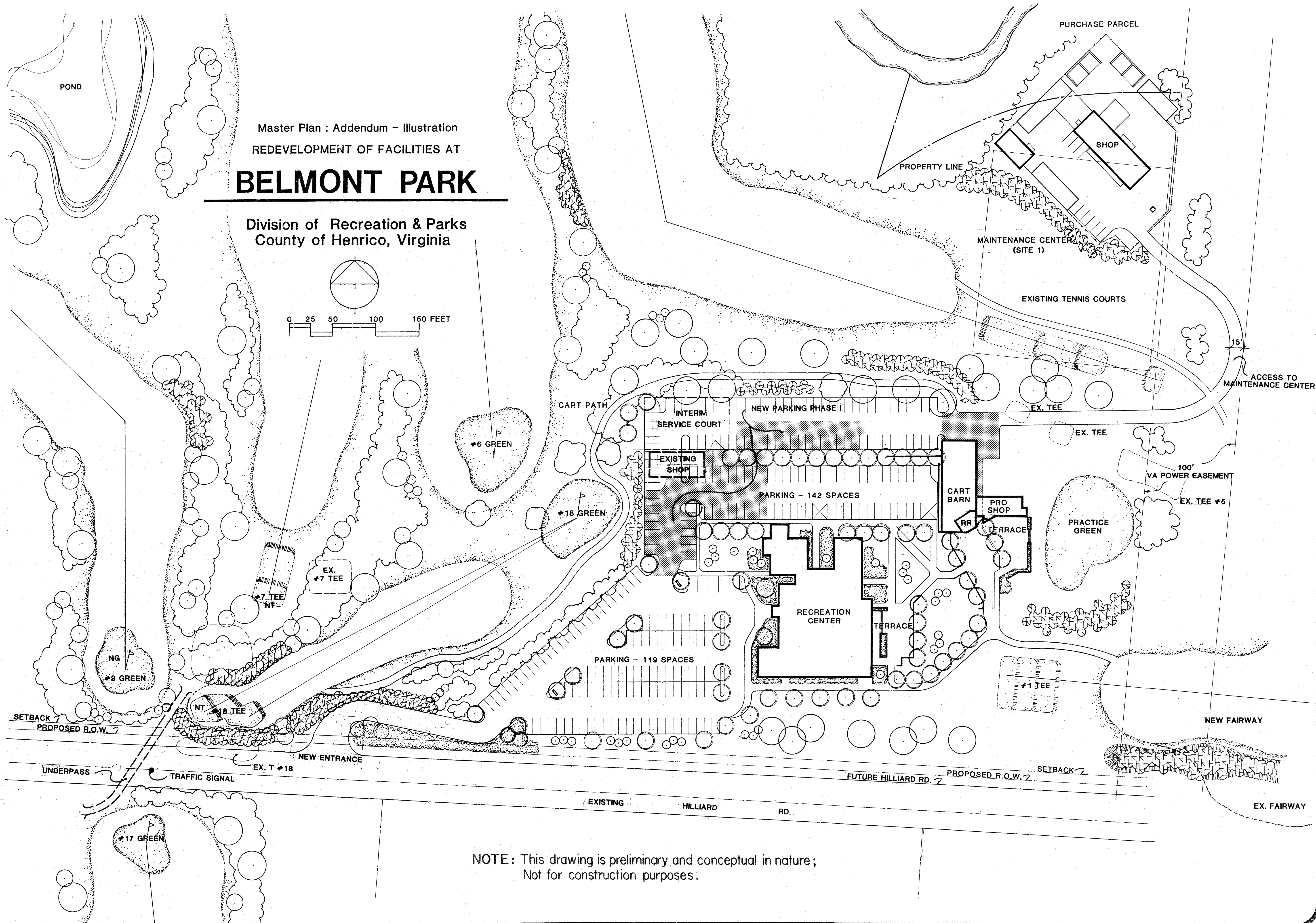
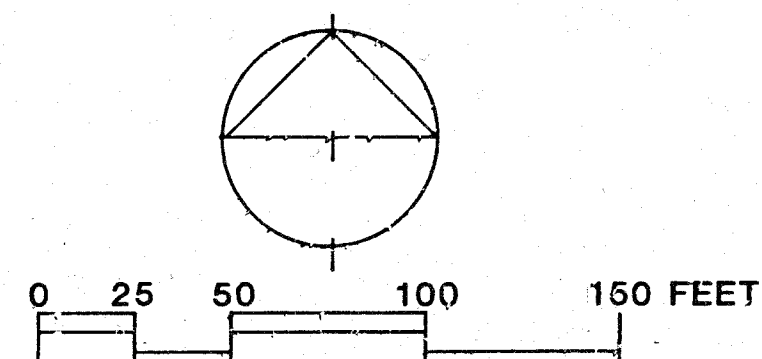


Master Plan : Addendum - Illustration
 REDEVELOPMENT OF FACILITIES AT
BELMONT PARK

Division of Recreation & Parks
 County of Henrico, Virginia



NOTE: This drawing is preliminary and conceptual in nature;
 Not for construction purposes.

RESOURCE PLANNERS INC.
 A PROFESSIONAL CORPORATION
 P.O. BOX 25697 • RICHMOND, VIRGINIA 23260 • 1 (804) 782-9747
 Architecture - Landscape Architecture - Engineering - Recreation Design

DRAWN BY:
 APPROVED BY:
 SCALE:
 DATE:
 REVISIONS:

PROJECT NO.

SHEET
 OF